

EF SERIES REDUCTOR

I、Characteristics:

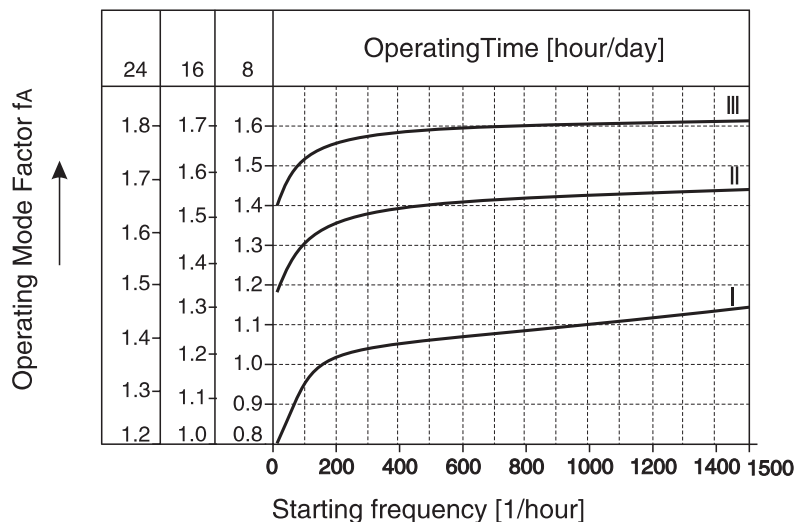
1. **Our** reducers are based on the building block design, so it's convenient for them to fit all types of motors or to connect with other power input. The same type of reducers can fit motors with different power, so that it's possible for different types of machines to combine or connect.
2. High transmission efficiency. A single machine can reach a transmission efficiency as much as 96%.
3. Precise division of transmission ratio with a wide range. The combination of machines can produce a larger transmission ratio at a low output rotational speed.
4. Various ways of installation. Horizontal installation at any position or flanged installation.

II、Working Environment:

1. Working temperature: $-40^{\circ}\text{C}\sim 50^{\circ}\text{C}$ (The lubrication should be heated until above 0°C if the machine works Below 0°C .)
2. The working place should be lower than 1,000 meters above sea level.
3. The input rotational speed should not exceed 1,800r/m. The circumferential speed of the gear should not exceed 22 m/s.
4. Suitable for normal–reverse rotation.
5. Without industry limitation.
6. Please consult our technical supporting department for other circumstances.

III. Instructions for Selection:

The daily operating time, the starting frequency and the load classifications be determined before deciding the service factor. The load classifications is calculated with the following formula:



Load classification

Uniform load, mass acceleration factor ≤ 0.2

Medium Impact Load, mass acceleration factor ≤ 3

Heavy shock Load, mass acceleration factor ≤ 10

EF SERIES REDUCTOR

Please contact our technical supporting department in case the mass acceleration factor > 10.

$$\text{Mass acceleration factor} = \frac{\text{All external mass moments of Inertia}}{\text{Mass moment of inertia on the motor end}}$$

The actual operating mode factor (f_A) should meet the following formula:

$$\text{Service factor } f_B \geq \text{operating mode factor } f_A$$

The service factor f_B is listed in the parameter selection list.

The permitted overhung loads and the axial forces.

Please contact our technical supporting department for the information on the permitted overhung loads and the axial forces at the output end of the shaft.

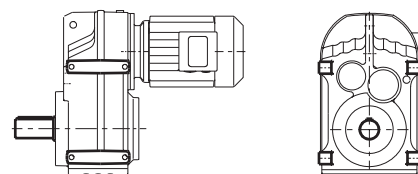
Regarding the use and maintenance of the reductor, please refer to the attached Instruction Manual of the Reductor and the Variable Speed Motor.

EF SERIES REDUCTOR

IV. Mounting type:

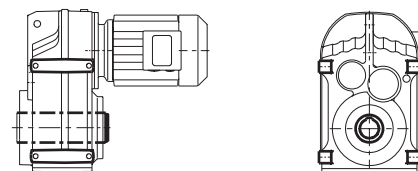
1. Model EF

Foot-mounted parallel shaft helical gear reductor



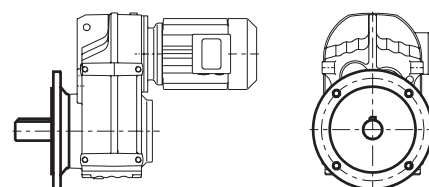
2. Model EFAB

Foot-mounted parallel shaft helical gear reductor with hollow shaft



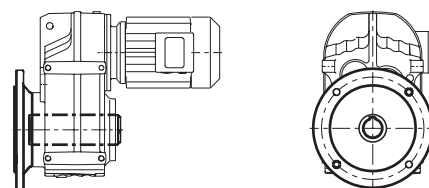
3. Model EFF

Parallel shaft helical gear reductor in B5 flange-mounted version



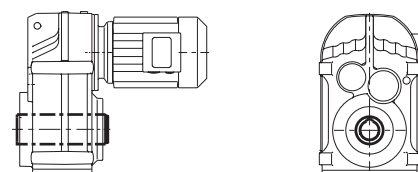
4. Model EFAF

Parallel shaft helical gear reductor in B5 flange-mounted version with hollow shaft



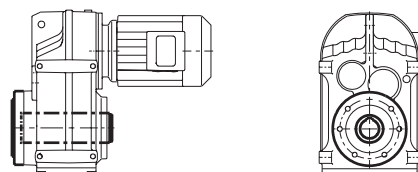
5. Model EFA

Parallel shaft helical gear reductor with hollow shaft



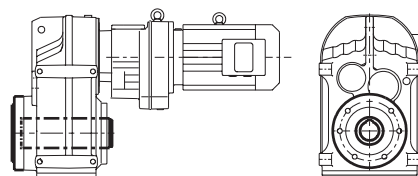
6. Model EFAZ

Parallel shaft helical gear reductor in B14 flange-mounted version with hollow shaft



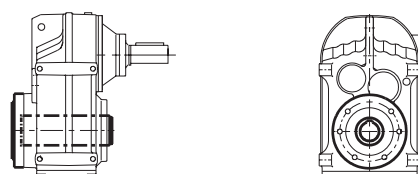
7. Model EF..ER

Combination of EF series reductor and ER..7 series reductor



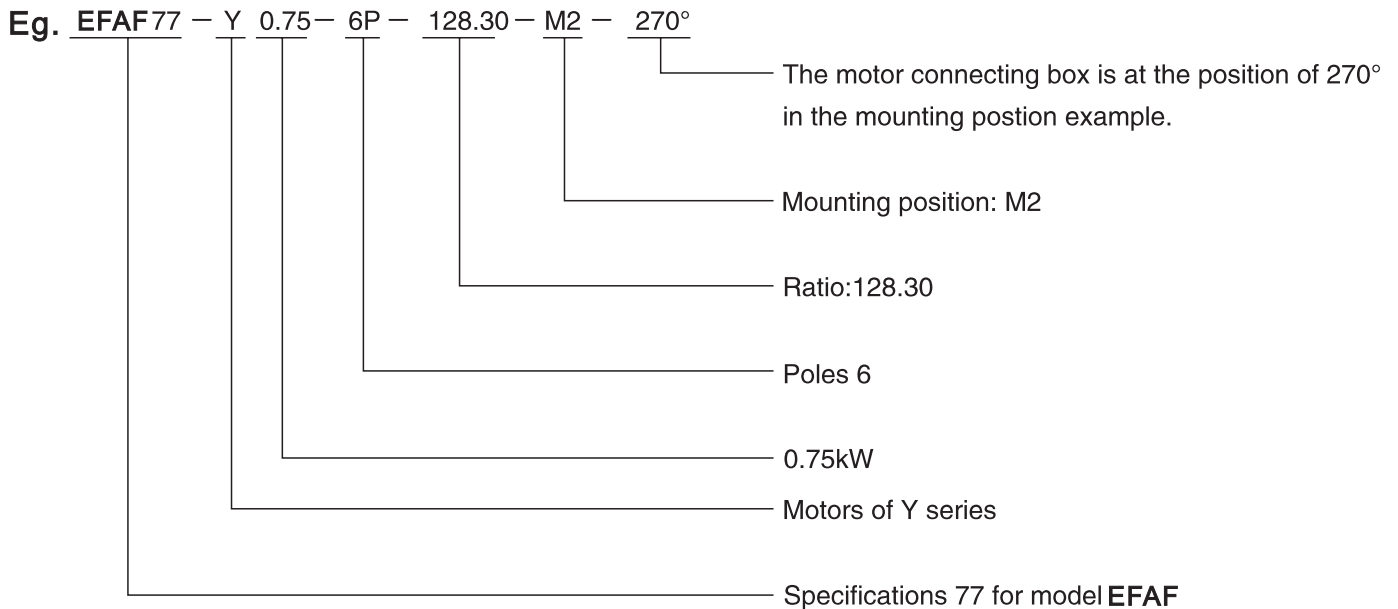
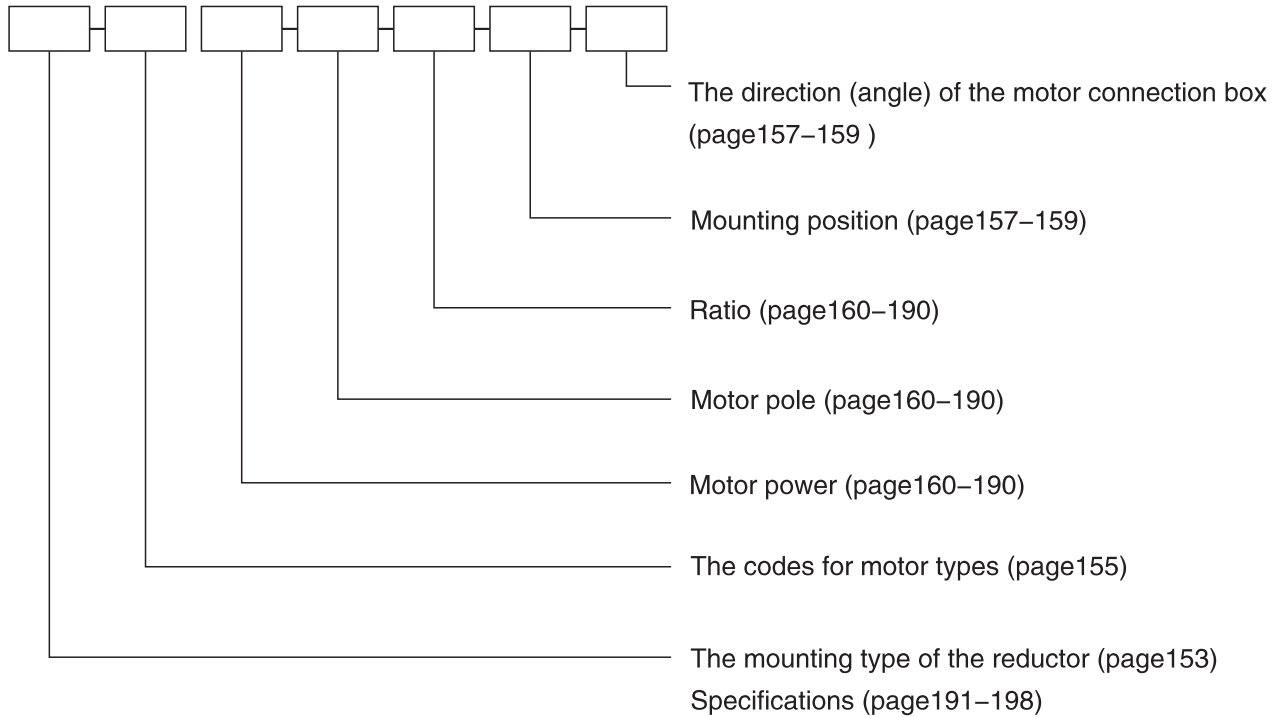
8. Model EF..S

Input-shaft style, in another word, parallel shaft helical gear reductor equipped with input shaft but without the motor



EF SERIES REDUCTOR

V、Instructions for Models:



EF SERIES REDUCTOR

- Note:1. The input–shaft style is not equipped with any motor
2. Motors of Y series are supplied with protection grade of IP54 unless otherwise specified.
 3. The mounting position of M1 as shown in the mounting position example (Page157–159) is the default way when supplying unless otherwise specified.
 4. 0° as shown in the mounting position example (Page157–159) is the default connection box angle when supplying unless otherwise specified.
 5. Please contact our technical supporting department in case there's any special requirements on the output and input rotatory directions.

VI、Codes for Motor Types:




Y series	Y	Flame-proof Motor	YB	Direct Current Motor	Z
Brake Motor	YEJ	Roll Motor	YG	Variable Frequency Motor	YVP

VII、Length of Connect Flange L2

The form on length of the connect flange L2 of the parallel shaft helical gear reductor of EF.. series

Motor frame size \ Reductor type	63	71	80	90	100	112	132	160	180	200	225	250	280	315
EF..37	56	56	56	56	56	—	—	—	—	—	—	—	—	—
EF..47	56	57	72	72	68	68	90	—	—	—	—	—	—	—
EF..57	56	57	72	72	68	68	90	—	—	—	—	—	—	—
EF..67	56	57	72	72	68	68	90	—	—	—	—	—	—	—
EF..77	56	57	68	68	68	68	90	129	—	—	—	—	—	—
EF..87	—	—	62	62	74	74	83	119	119	—	—	—	—	—
EF..97	—	—	—	50	50	50	70	113	113	123	—	—	—	—
EF..107	—	—	—	—	55	55	76	112	112	130	151	—	—	—
EF..127	—	—	—	—	—	—	78	112	112	130	135	139	139	—
EF..157	—	—	—	—	—	—	—	100	100	111	116	120	120	170

VIII、Explanation of mounting position example

	Breather valve		Oil level plug		Oil drain plug
---	----------------	---	----------------	---	----------------

EF SERIES REDUCTOR

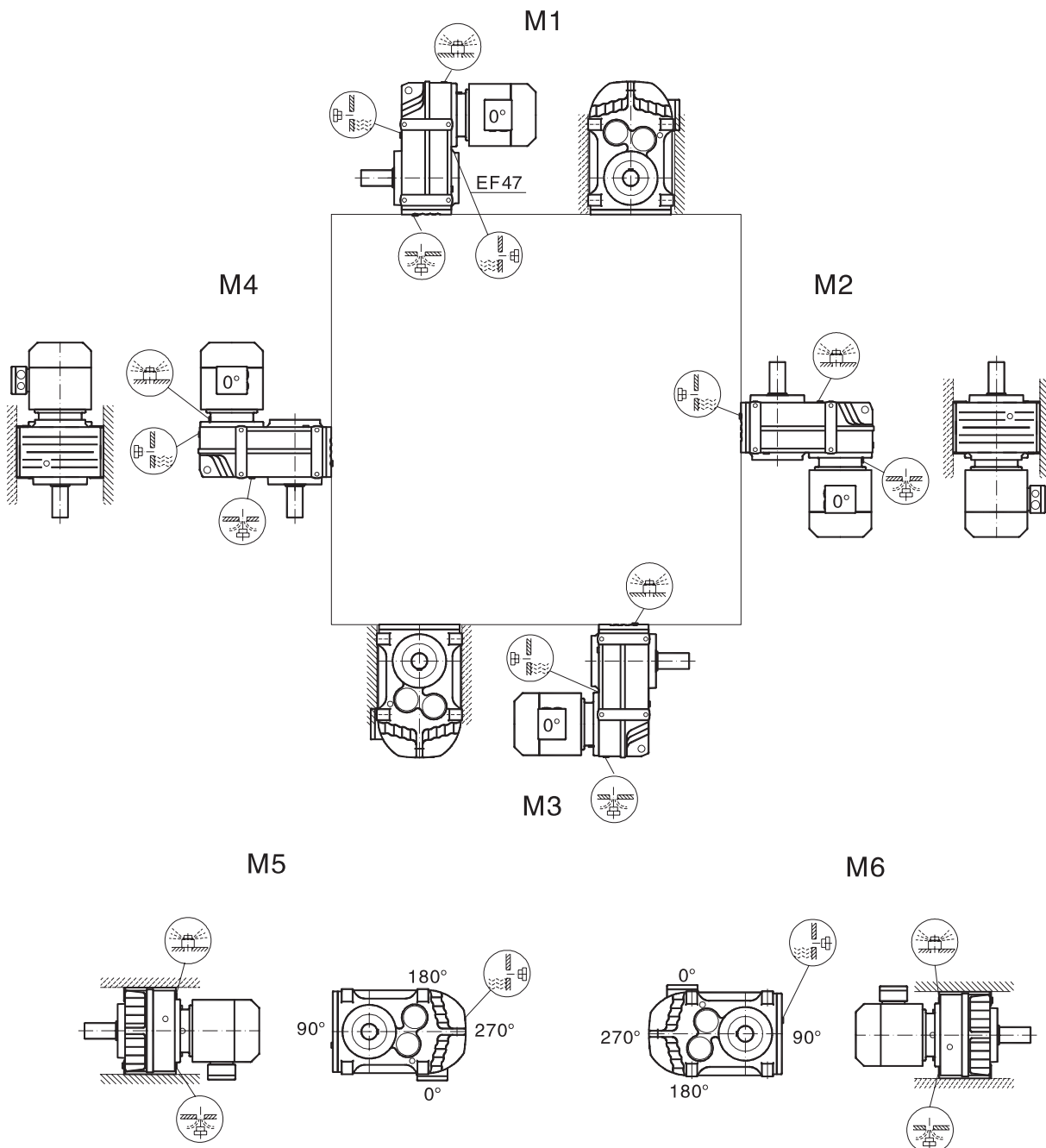
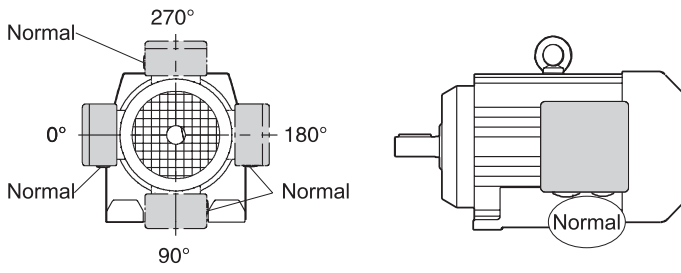
IX、Explanation of Parameter Selection List

Power (kW)	Output speed (r/min)	Output torque (N · m)	Ratio (i)	Service factor (fB)	Type	Motor pole	Weight (kg)
0.75	4.5	1603	203.70 ★	0.89	EF 77	6P	99
	4.8	1500	190.60 ★	0.95	EFF 77	6P	110
	5.4	1325	168.40 ★	1.08	EFA 77	6P	96
	6.4	1120	142.30 ★	1.27	EFAF 77	6P	102
	7.1	1010	128.30	1.41			

- ★ indicates that the reductor with this transmission ratio cannot connect the motor directly, in another word, the length of the connect flange L2 is necessary.
- The machine types in the parameter selection list can match any transmission ratio in the column.
- The parameters in this list also fits model EFAB、EFAZ

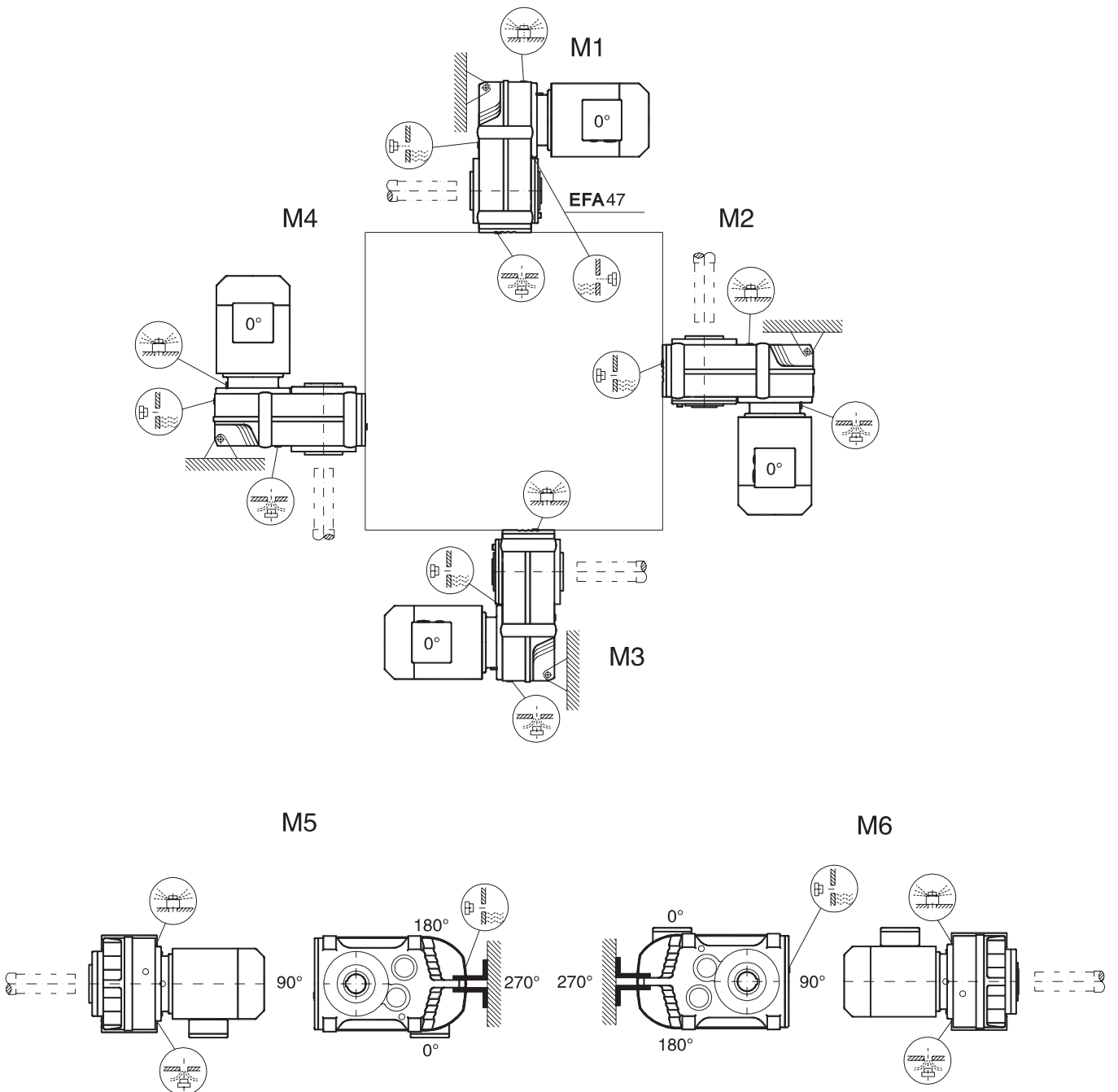
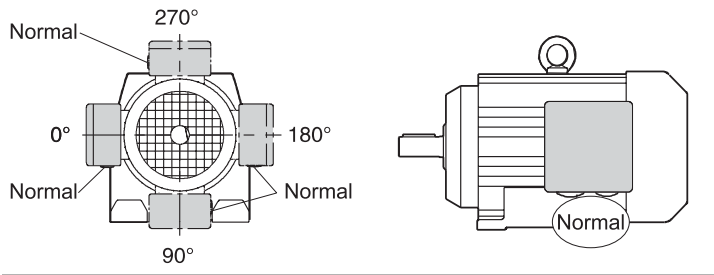
EF SERIES REDUCTOR

EF/EFAB 37-157 Mounting position example



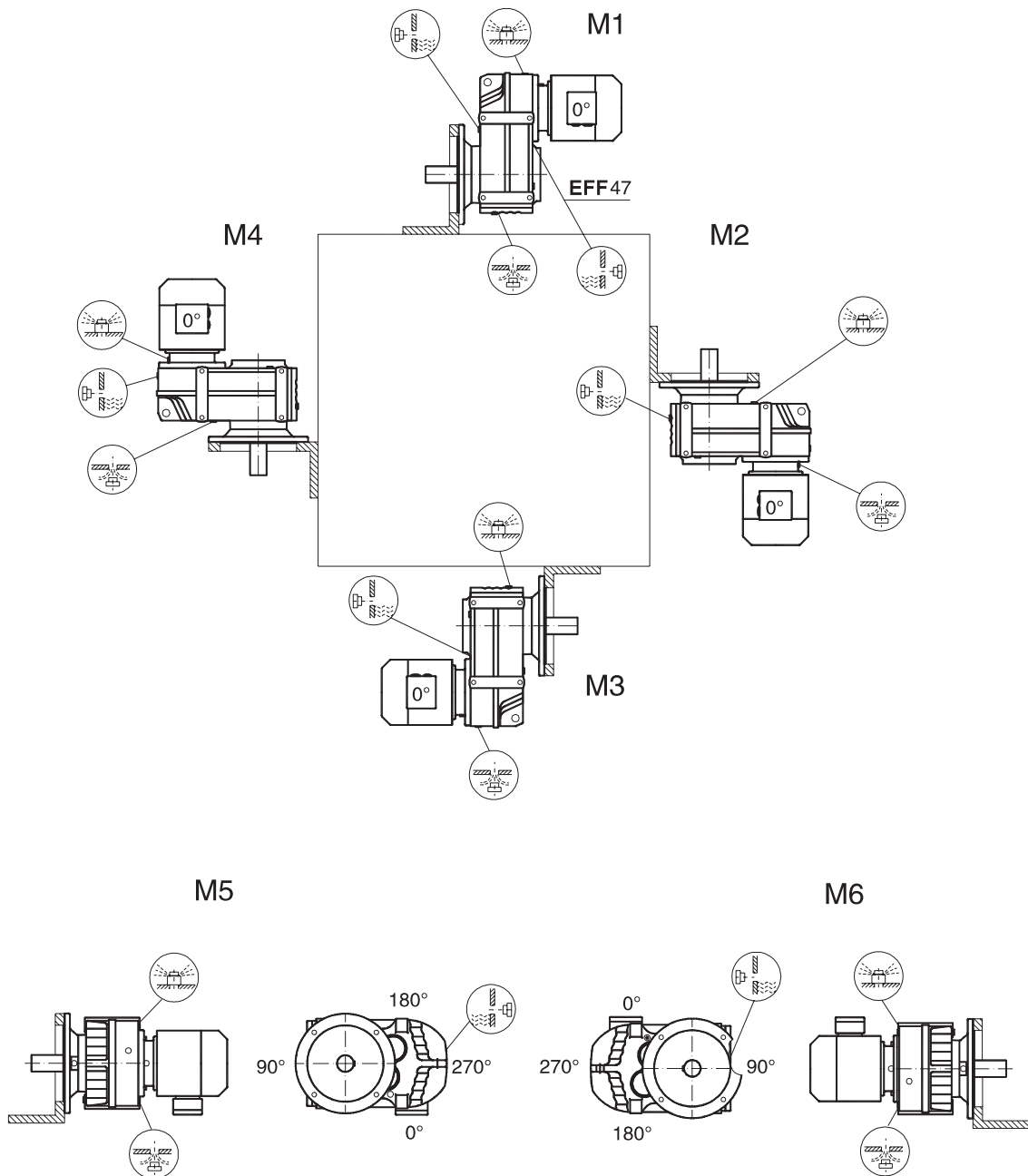
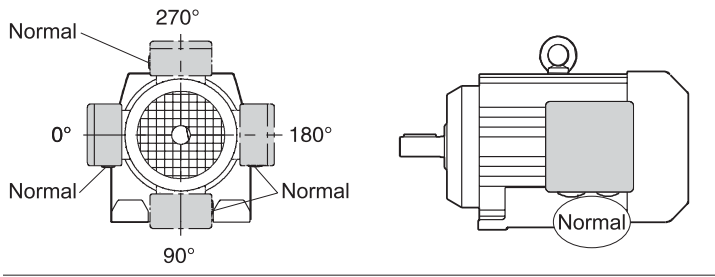
EF SERIES REDUCTOR

EFA 37-157 Mounting position example



EF SERIES REDUCTOR

EFF/EFAF/EFAZ37-157 Mounting position example



EF SERIES REDUCTOR

Power (kW)	Output speed (r/min)	Output torque (N · m)	Ratio (i)	Service factor (fB)	Type	Motor pole	Weight (kg)	
0.18	0.10	15651	13322	0.80	EF 127ER77	4P	621	
	0.12	13726	11683	0.83	EFF 127ER77	4P	671	
	0.13	12280	10452	0.93	EFA 127ER77	4P	586	
	0.16	10252	8726	1.11	EFAF 127ER77	4P	625	
	0.19	8802	7492	1.30				
	0.21	7855	6686	1.45				
	0.16	10065	8567	8567	0.80	EF 107ER77	4P	371
	0.18	8943	7612	7612	0.82	EFF 107ER77	4P	396
	0.20	8135	6924	6924	0.90	EFA 107ER77	4P	356
	0.23	7064	6013	6013	1.03	EFAF 107ER77	4P	376
	0.27	6141	5227	5227	1.19			
	0.30	5398	4595	4595	1.38			
	0.35	4676	3980	3980	1.59			
	0.39	4178	3556	3556	1.75			
	0.45	3631	3091	3091	2.0			
	0.51	3196	2720	2720	2.3			
	0.59	2789	2374	2374	2.6			
	0.67	2435	2073	2073	3.0			
	0.32	5070	4315	4315	0.81	EF 97ER57	4P	259
	0.35	4632	3943	3943	0.88	EFF 97ER57	4P	294
	0.42	3918	3335	3335	1.04	EFA 97ER57	4P	254
	0.47	3475	2958	2958	1.18	EFAF 97ER57	4P	274
	0.56	2939	2502	2502	1.39			
	0.63	2588	2203	2203	1.58			
	0.71	2314	1970	1970	1.76			
	0.81	2020	1719	1719	2.0			
	0.91	1800	1532	1532	2.3			
	1.0	1556	1324	1324	2.6			
	1.2	1384	1178	1178	3.0			
	0.48	3432	2921	2921	0.83	EF 87ER57	4P	164
	0.53	3080	2622	2622	0.93	EFF 87ER57	4P	179
	0.62	2640	2247	2247	1.08	EFA 87ER57	4P	154
	0.72	2283	1943	1943	1.25	EFAF 87ER57	4P	169
	0.81	2022	1721	1721	1.41			
	0.91	1795	1528	1528	1.59			
	1.1	1553	1322	1322	1.83			
	1.2	1316	1120	1120 ★	2.2			
	1.3	1225	1043	1043 ★	2.3			
	1.6	1034	880	880	2.8			
	1.8	928	790	790	3.1			
	0.82	2003	1705	1705	0.80	EF 77ER37	4P	99
	0.92	1783	1518	1518	0.80	EFF 77ER37	4P	110
	1.0	1568	1335	1335	0.80	EFA 77ER37	4P	96
	1.2	1389	1182	1182 ★	0.80	EFAF 77ER37	4P	102
	1.3	1210	1030	1030	0.87			
	1.5	1076	916	916	1.32			
	1.7	955	813	813	1.10			
	2.0	836	712	712	1.26			
2.3	714	608	608	1.48				
1.6	996	848	848	0.80	EF 67ER37	4P	67	
1.8	895	762	762	0.87	EFF 67ER37	4P	73	
2.1	764	650	650	1.02	EFA 67ER37	4P	64	
2.4	674	574	574	1.16	EFAF 67ER37	4P	70	
2.7	600	511	511	1.30				
3.2	512	436	436	1.52				
3.6	450	383	383	1.73				
4.2	392	334	334	1.99				
4.5	367	312	312	2.1				
5.4	304	259	259	2.6				
5.9	275	234	234	2.8				
6.7	246	209	209	3.2				

ER SERIES REDUCTOR

Power (kW)	Output speed (r/min)	Output torque (N·m)	Ratio (i)	Service factor (fB)	Type	Motor pole	Weight (kg)
0.18	2.5	659	561	0.86	EF 57ER37	4P	56
	2.7	603	513	0.95	EFF 57ER37	4P	62
	3.0	538	458	1.06	EFA 57ER37	4P	56
	3.5	462	393	1.23	EFAF 57ER37	4P	61
	4.2	392	334	1.45			
	5.4	304	259	1.87			
	6.9	236	201	2.4			
	3.8	431	367	0.88	EF 47ER17	4P	39
	4.0	404	344	0.94	EFF 47ER17	4P	42
	4.3	381	324	1.00	EFA 47ER17	4P	39
	4.8	338	288	1.12	EFAF 47ER17	4P	41
	5.6	294	250	1.29			
	6.3	260	221	1.46			
	7.1	230	196	1.65			
	7.9	206	175	1.85			
	7.4	221	188	0.86	EF 37ER17	4P	33
	8.3	197	168	0.96	EFF 37ER17	4P	35
	9.3	175	149	1.09	EFA 37ER17	4P	33
	11	155	132	1.23	EFAF 37ER17	4P	34
	3.0	580	286.60 ★	2.5	EF 77	6P	88
	3.2	539	266.30 ★	2.6	EFF 77	6P	99
	3.7	470	232.40 ★	3.0	EFA 77	6P	85
					EFAF 77	6P	91
	4.4	395	195.10 ★	1.97	EF 67	6P	56
	5.1	340	168.30 ★	2.3	EFF 67	6P	62
					EFA 67	6P	53
					EFAF 67	6P	59
	7.1	241	195.10 ★	3.2	EF 67	4P	52
	8.3	208	168.33 ★	3.7	EFF 67	4P	58
					EFA 67	4P	49
					EFAF 67	4P	55
	4.3	404	199.70 ★	1.41	EF 57	6P	45
	4.6	371	183.60 ★	1.54	EFF 57	6P	51
	5.4	318	157.09 ★	1.79	EFA 57	6P	45
	6.2	275	136.16	2.1	EFAF 57	6P	50
	6.7	257	127.27	2.2			
7.6	226	111.91	2.5				
7.0	247	199.70 ★	2.3	EF 57	4P	41	
7.6	227	183.60 ★	2.5	EFF 57	4P	47	
8.8	194	157.09 ★	2.9	EFA 57	4P	41	
10	168	136.16	3.4	EFAF 57	4P	46	
11	157	127.27	3.6				
5.7	300	148.50 ★	1.27	EF 47	6P	35	
6.7	255	126.00 ★	1.49	EFF 47	6P	38	
7.3	236	116.70 ★	1.61	EFA 47	6P	35	
				EFAF 47	6P	37	
9.4	184	148.50 ★	2.1	EF 47	4P	31	
11	156	126.00 ★	2.4	EFF 47	4P	34	
12	144	116.74 ★	2.6	EFA 47	4P	31	
				EFAF 47	4P	33	
8.3	208	102.61 ★	0.92	EF 37	6P	29	
9.7	177	87.75 ★	1.07	EFF 37	6P	31	
10	165	81.56 ★	1.15	EFA 37	6P	29	
12	144	71.04	1.32	EFAF 37	6P	30	
14	127	102.61 ★	1.50	EF 37	4P	25	
16	109	87.75 ★	1.75	EFF 37	4P	27	
17	101	81.56 ★	1.88	EFA 37	4P	25	
20	88	71.04	2.2	EFAF 37	4P	26	
21	82	66.53	2.3				
24	73	58.68	2.6				
25	68	55.25	2.8				

ER SERIES REDUCTOR

Power (kW)	Output speed (r/min)	Output torque (N · m)	Ratio (i)	Service factor (fB)	Type	Motor pole	Weight (kg)
0.18	27	64	52.09	2.9	EF 37	4P	25
	28	60	48.80	3.1	EFF 37	4P	27
	32	53	43.05	3.6	EFA 37	4P	25
	36	47	38.21	4.0	EFAF 37	4P	26
	39	45	36.08	4.3			
	43	40	32.26	4.8			
	48	36	28.95	5.3			
	58	30	23.92	★ 6.4			
	67	26	20.82	7.4			
	76	23	18.31	8.4			
	81	21	17.22	8.9			
	96	18	14.49	11			
	107	16	13.00	12			
	119	14	11.72	12			
	131	13	10.60	13			
	152	11	9.17	★ 15			
	176	10	7.90	★ 17			
	202	8.5	6.88	16			
	230	7.5	6.04	17			
	261	6.6	5.33	18			
277	6.2	5.01	18				
331	5.2	4.20	20				
0.25	0.16	14239	8726	0.80	EF 127ER77	4P	625
	0.19	12225	7492	0.93	EFF 127ER77	4P	675
	0.21	10910	6686	1.04	EFA 127ER77	4P	590
	0.24	9639	5907	1.18	EFAF 127ER77	4P	630
	0.27	8364	5126	1.36			
	0.31	7385	4526	1.54			
	0.23	9812	6013	0.80	EF 107ER77	4P	375
	0.27	8529	5227	0.86	EFF 107ER77	4P	400
	0.30	7498	4595	0.99	EFA 107ER77	4P	360
	0.35	6494	3980	1.12	EFAF 107ER77	4P	380
	0.39	5802	3556	1.26			
	0.45	5044	3091	1.45			
	0.51	4438	2720	1.64			
	0.59	3874	2374	1.88			
	0.67	3383	2073	2.2			
	0.75	3009	1844	2.4			
	0.88	2567	1573	2.9			
	1.0	2258	1384	3.2			
	0.47	4827	2958	0.85	EF 97ER57	4P	263
	0.56	4083	2502	1.00	EFF 97ER57	4P	298
0.63	3595	2203	1.14	EFA 97ER57	4P	258	
0.71	3215	1970	1.27	EFAF 97ER57	4P	278	
0.81	2805	1719	1.46				
0.91	2500	1532	1.63				
1.0	2160	1324	1.89				
1.2	1922	1178	2.1				
1.4	1663	1019	2.5				
0.72	3170	1943	0.90	EF 87ER57	4P	168	
0.81	2808	1721	1.01	EFF 87ER57	4P	183	
0.91	2493	1528	1.14	EFA 87ER57	4P	158	
1.1	2157	1322	1.32	EFAF 87ER57	4P	173	
1.2	1828	1120	★ 1.56				
1.3	1702	1043	★ 1.67				
1.6	1436	880	1.98				
1.8	1289	790	2.2				
2.1	1085	665	2.6				
1.3	1681	1030	0.80	EF 77ER37	4P	103	
1.5	1495	916	0.95	EFF 77ER37	4P	114	
1.7	1327	813	0.80	EFA 77ER37	4P	100	
2.0	1162	712	1.23	EFAF 77ER37	4P	106	
2.3	992	608	1.44				
2.6	883	541	1.61				
2.9	783	480	1.82				
3.3	687	421	2.1				

EF SERIES REDUCTOR

Power (kW)	Output speed (r/min)	Output torque (N · m)	Ratio (i)	Service factor (fB)	Type	Motor pole	Weight (kg)
0.25	2.1	1061	650	0.80	EF 67ER 37	4P	71
	2.4	937	574	0.83	EFF 67ER 37	4P	77
	2.7	834	511	0.93	EFA 67ER 37	4P	68
	3.2	711	436	1.09	EFAF 67ER 37	4P	74
	3.6	625	383	1.25			
	4.2	545	334	1.43			
	4.5	509	312	1.53			
	5.4	423	259	1.84			
	5.9	382	234	2.0			
	6.7	341	209	2.3			
	3.5	641	393	0.89	EF 57ER 37	4P	60
	4.2	545	334	1.05	EFF 57ER 37	4P	66
	5.4	423	259	1.35	EFA 57ER 37	4P	60
	6.9	328	201	1.74	EFAF 57ER 37	4P	65
	7.6	300	184	1.90			
	8.1	281	172	2.0			
	5.6	408	250	0.93	EF 47ER 17	4P	43
	6.3	361	221	1.05	EFF 47ER 17	4P	46
	7.1	320	196	1.19	EFA 47ER 17	4P	43
	7.9	286	175	1.33	EFAF 47ER 17	4P	45
	9.5	238	146	1.60			
	11	207	127	1.83			
	9.3	243	149	0.80	EF 37ER 17	4P	37
	11	215	132	0.88	EFF 37ER 17	4P	39
	12	194	119	0.98	EFA 37ER 17	4P	37
					EFAF 37ER 17	4P	38
	3.0	805	286.60 ★	1.77	EF 77	6P	90
	3.2	748	266.30 ★	1.91	EFF 77	6P	101
	3.7	653	232.40 ★	2.2	EFA 77	6P	87
	4.2	572	203.70 ★	2.5	EFAF 77	6P	93
	4.4	548	195.10 ★	1.42	EF 67	6P	58
	5.1	473	168.30 ★	1.65	EFF 67	6P	64
	5.4	442	157.20 ★	1.76	EFA 67	6P	55
	6.2	388	138.20	2.0	EFAF 67	6P	61
	7.1	335	195.10 ★	2.3	EF 67	4P	56
	8.3	289	168.33 ★	2.7	EFF 67	4P	62
	8.8	270	157.17 ★	2.9	EFA 67	4P	53
	10	237	138.20	3.3	EFAF 67	4P	59
	4.3	561	199.70 ★	1.02	EF 57	6P	47
	4.6	516	183.60 ★	1.11	EFF 57	6P	53
	5.4	441	157.09 ★	1.29	EFA 57	6P	47
	6.2	382	136.16	1.49	EFAF 57	6P	52
	6.7	357	127.27	1.59			
	7.6	314	111.91	1.81			
	7.0	343	199.70 ★	1.66	EF 57	4P	45
	7.6	315	183.60 ★	1.81	EFF 57	4P	51
	8.8	270	157.09 ★	2.1	EFA 57	4P	45
	10	234	136.16	2.4	EFAF 57	4P	50
	11	219	127.27	2.6			
	12	192	111.91	3.0			
	5.7	417	148.50 ★	0.91	EF 47	6P	37
	6.7	354	126.00 ★	1.07	EFF 47	6P	40
	7.3	328	116.70 ★	1.16	EFA 47	6P	37
	7.8	305	108.50 ★	1.25	EFAF 47	6P	39
	9.4	255	148.50 ★	1.49	EF 47	4P	35
	11	216	126.00 ★	1.76	EFF 47	4P	38
	12	201	116.74 ★	1.90	EFA 47	4P	35
	13	186	108.50 ★	2.0	EFAF 47	4P	37
	16	152	88.50	2.5			

EF SERIES REDUCTOR

Power (kW)	Output speed (r/min)	Output torque (N · m)	Ratio (i)		Service factor (fB)	Type	Motor pole	Weight (kg)
0.25	14	176	102.61	★	1.08	EF 37	4P	29
	16	151	87.75	★	1.26	EFF 37	4P	31
	17	140	81.56	★	1.36	EFA 37	4P	29
	20	122	71.04		1.56	EFAF 37	4P	30
	21	114	66.53		1.66			
	24	101	58.68		1.89			
	25	95	55.25		2.0			
	27	89	52.09		2.1			
	28	84	48.80		2.3			
	32	74	43.05		2.6			
	36	66	38.21		2.9			
	39	62	36.08		3.1			
	43	55	32.26		3.4			
	48	50	28.95		3.8			
	58	41	23.92	★	4.6			
	67	36	20.82		5.3			
	76	31	18.31		6.0			
	81	30	17.22		6.4			
	96	25	14.49		7.6			
	107	22	13.00		8.5			
	119	20	11.72		9.0			
	131	18	10.60		9.6			
	152	16	9.17	★	11			
	176	14	7.90	★	12			
	202	12	6.88		11			
	230	10	6.04		12			
	261	9.1	5.33		13			
	277	8.6	5.01		13			
331	7.2	4.20		14				
0.37	0.21	16147	6686		0.80	EF 127ER77	4P	626
	0.24	14265	5907		0.80	EFF 127ER77	4P	676
	0.27	12379	5126		0.92	EFA 127ER77	4P	591
	0.31	10930	4526		1.04	EFAF 127ER77	4P	631
	0.35	9602	3976		1.19			
	0.40	8436	3493		1.35			
	0.45	7387	3059		1.54			
	0.45	7465	3091		0.98	EF 107ER77	4P	376
	0.51	6569	2720		1.11	EFF 107ER77	4P	401
	0.59	5733	2374		1.27	EFA 107ER77	4P	361
	0.67	5006	2073		1.46	EFAF 107ER77	4P	381
	0.75	4453	1844		1.64			
	0.88	3799	1573		1.96			
	1.0	3342	1384		2.2			
	0.63	5320	2203		0.80	EF 97ER57	4P	264
	0.71	4758	1970		0.86	EFF 97ER57	4P	299
	0.81	4151	1719		0.98	EFA 97ER57	4P	259
	0.91	3700	1532		1.10	EFAF 97ER57	4P	279
	1.0	3197	1324		1.28			
	1.2	2845	1178		1.44			
	1.4	2461	1019		1.66			
	1.5	2171	899		1.88			
	1.1	3193	1322		0.89	EF 87ER57	4P	169
	1.2	2705	1120	★	1.05	EFF 87ER57	4P	184
	1.3	2519	1043	★	1.13	EFA 87ER57	4P	159
	1.6	2125	880		1.34	EFAF 87ER57	4P	174
	1.8	1908	790		1.49			
	2.1	1606	665		1.77			
2.3	1485	615		1.92				
2.7	1244	515		2.3				
3.1	1077	446		2.6				
1.7	1963	813		0.80	EF 77ER37	4P	104	
2.0	1719	712		0.83	EFF 77ER37	4P	115	
2.3	1468	608		0.97	EFA 77ER37	4P	101	
2.6	1307	541		1.09	EFAF 77ER37	4P	107	

EF SERIES REDUCTOR

Power (kW)	Output speed (r/min)	Output torque (N · m)	Ratio (i)	Service factor (fB)	Type	Motor pole	Weight (kg)
0.37	2.9	1159	480	1.23	EF 77ER 37	4P	104
	3.3	1017	421	1.40	EFF 77ER 37	4P	115
	3.7	906	375	1.16	EFA 77ER 37	4P	101
	4.4	770	319	1.85	EFAF 77ER 37	4P	107
	3.2	1053	436	0.80	EF 67ER 37	4P	72
	3.6	925	383	0.84	EFF 67ER 37	4P	78
	4.2	807	334	0.97	EFA 67ER 37	4P	69
	4.5	753	312	1.03	EFAF 67ER 37	4P	75
	5.4	625	259	1.25			
	5.9	565	234	1.38			
	6.7	505	209	1.54			
	5.4	625	259	0.91	EF 57ER 37	4P	61
	6.9	485	201	1.17	EFF 57ER 37	4P	67
	7.6	444	184	1.28	EFA 57ER 37	4P	61
	8.1	415	172	1.37	EFAF 57ER 37	4P	66
	9.1	369	153	1.54			
	11	314	130	1.82			
	7.9	423	175	0.90	EF 47ER 17	4P	44
	9.5	353	146	1.08	EFF 47ER 17	4P	47
	11	307	127	1.24	EFA 47ER 17	4P	44
					EFAF 47ER 17	4P	46
	2.5	1423	269.80 ★	2.0	EF 87	8P	151
	2.6	1351	256.20 ★	2.1	EFF 87	8P	166
	3.0	1196	226.70 ★	2.4	EFA 87	8P	141
	3.4	1053	199.60 ★	2.7	EFAF 87	8P	156
	3.3	1077	269.80	2.6	EF 87	6P	145
	3.5	1023	256.20	2.8	EFF 87	6P	160
	3.9	905	226.70 ★	3.1	EFA 87	6P	135
					EFAF 87	6P	150
	3.8	928	232.40 ★	1.54	EF 77	6P	93
	4.3	813	203.70 ★	1.75	EFF 77	6P	104
	4.6	761	190.60 ★	1.87	EFA 77	6P	90
	5.3	672	168.40 ★	2.1	EFAF 77	6P	96
	6.2	568	142.30	2.5			
	4.9	729	286.59 ★	1.96	EF 77	4P	89
	5.2	677	266.25 ★	2.1	EFF 77	4P	100
	6.0	591	232.37 ★	2.4	EFA 77	4P	86
	6.8	518	203.70 ★	2.8	EFAF 77	4P	92
	5.3	672	168.30 ★	1.16	EF 67	6P	61
	5.6	628	157.20 ★	1.24	EFF 67	6P	67
	6.4	552	138.20 ★	1.41	EFA 67	6P	58
	7.2	490	122.70	1.59	EFAF 67	6P	64
	7.1	496	195.10 ★	1.57	EF 67	4P	57
	8.3	428	168.33 ★	1.82	EFF 67	4P	63
	8.8	400	157.17 ★	1.95	EFA 67	4P	54
	10	351	138.20	2.2	EFAF 67	4P	60
	11	312	122.68	2.5			
	5.6	627	157.09 ★	0.91	EF 57	6P	50
	6.5	544	136.16	1.05	EFF 57	6P	56
	7.0	508	127.27	1.12	EFA 57	6P	50
	7.9	447	111.91	1.28	EFAF 57	6P	55
	7.0	508	199.70 ★	1.12	EF 57	4P	46
	7.6	467	183.60 ★	1.22	EFF 57	4P	52
	8.8	399	157.10 ★	1.43	EFA 57	4P	46
	10	346	136.16	1.65	EFAF 57	4P	51
	11	324	127.27	1.76			
	12	284	111.90	2.0			
	15	238	93.47	2.4			
	17	212	83.46	2.7			

EF SERIES REDUCTOR

Power (kW)	Output speed (r/min)	Output torque (N · m)	Ratio (i)		Service factor (fB)	Type	Motor pole	Weight (kg)
0.37	9.4	377	148.50	★	1.01	EF 47	4P	36
	11	320	126.00	★	1.19	EFF 47	4P	39
	12	297	116.74	★	1.28	EFA 47	4P	36
	13	276	108.50	★	1.38	EFAF 47	4P	38
	16	225	88.50		1.69			
	18	198	78.07		1.91			
	20	176	69.30		2.2			
	21	166	65.42		2.3			
	16	223	87.75	★	0.85	EF 37	4P	30
	17	207	81.56	★	0.92	EFF 37	4P	32
	20	181	71.04		1.05	EFA 37	4P	30
	21	169	66.53		1.12	EFAF 37	4P	31
	24	149	58.68		1.27			
	25	140	55.25		1.35			
	27	132	52.09		1.43			
	28	124	48.80		1.53			
	32	109	43.05		1.74			
	36	97	38.21		1.96			
	39	92	36.08		2.1			
	43	82	32.26		2.3			
	48	74	28.95		2.6			
	58	61	23.92	★	3.1			
	67	53	20.82		3.6			
	76	47	18.31		4.1			
	81	44	17.22		4.3			
	96	37	14.49		5.2			
	107	33	13.00		5.7			
	119	30	11.72		6.1			
	131	27	10.60		6.5			
	152	23	9.17	★	7.1			
	176	20	7.90	★	8.0			
	202	17	6.88		7.6			
	230	15	6.04		8.4			
261	14	5.33		8.8				
277	13	5.01		8.9				
331	11	4.20		9.8				
0.55	0.21	23302	6491		0.80	EF 157ER97	4P	1015
	0.25	19586	5456		0.87	EFF 157ER97	4P	1115
	0.29	17335	4829		0.99	EFA 157ER97	4P	995
	0.33	15189	4231		1.13	EFAF 157ER97	4P	1045
	0.39	12920	3599		1.32			
	0.43	11509	3206		1.49			
	0.50	9958	2774		1.72			
	0.57	8709	2426		1.96			
	0.83	6045	1684		2.8			
	0.95	5234	1458		3.3			
	1.0	4782	1332		3.6			
	1.2	4143	1154		4.1			
	0.35	14273	3976		0.80	EF 127ER77	4P	630
	0.40	12539	3493		0.91	EFF 127ER77	4P	680
	0.45	10981	3059		1.04	EFA 127ER77	4P	595
						EFAF 127ER77	4P	635
	0.59	8522	2374		0.86	EF 107ER77	4P	380
	0.67	7442	2073		0.98	EFF 107ER77	4P	405
	0.75	6620	1844		1.10	EFA 107ER77	4P	365
	0.88	5647	1573		1.32	EFAF 107ER77	4P	385
	1.0	4968	1384		1.47			
	1.1	4484	1249		1.63			
	1.3	3934	1096		1.85			
	1.4	3514	979		2.1			
	1.6	3076	857		2.4			
	1.8	2700	752		2.7			
	2.2	2258	629		3.2			

EF SERIES REDUCTOR

Power (kW)	Output speed (r/min)	Output torque (N · m)	Ratio (i)	Service factor (fB)	Type	Motor pole	Weight (kg)	
0.55	1.0	4753	1324	0.86	EF 97ER57	4P	268	
	1.2	4229	1178	0.97	EFF 97ER57	4P	303	
	1.4	3658	1019	1.12	EFA 97ER57	4P	263	
	1.5	3227	899	1.27	EFAF 97ER57	4P	283	
	1.8	2825	787	1.45				
	2.0	2477	690	1.65				
	2.3	2165	603	1.89				
	2.6	1910	532	2.1				
	3.0	1680	468	2.4				
	3.4	1447	403	2.8				
	3.9	1296	361	3.2				
	1.6	3159	880	0.90	EF 87ER57	4P	173	
	1.8	2836	790	1.00	EFF 87ER57	4P	188	
	2.1	2387	665	1.19	EFA 87ER57	4P	163	
	2.3	2208	615	1.29	EFAF 87ER57	4P	178	
	2.7	1849	515	1.54				
	3.1	1601	446	1.78				
	4.1	1217	339	2.3				
	2.6	1942	541	0.80	EF 77ER37	4P	108	
	2.9	1723	480	0.83	EFF 77ER37	4P	119	
	3.3	1511	421	0.94	EFA 77ER37	4P	105	
	3.7	1346	375	0.78	EFAF 77ER37	4P	111	
	4.4	1145	319	1.24				
	5.4	930	259	0.84	EF 67ER37	4P	76	
	5.9	840	234	0.93	EFF 67ER37	4P	82	
	6.7	750	209	1.04	EFA 67ER37	4P	73	
	7.8	639	178	1.22	EFAF 67ER37	4P	79	
	2.4	2158	275.30	★	1.89	EF 97	8P	249
	2.7	1936	246.90	★	2.1	EFF 97	8P	284
	2.9	1798	229.40	★	2.3	EFA 97	8P	244
						EFAF 97	8P	264
	2.5	2115	269.80	★	1.35	EF 87	8P	154
	2.6	2008	256.20	★	1.42	EFF 87	8P	169
	3.0	1777	226.70	★	1.60	EFA 87	8P	144
	3.4	1565	199.60	★	1.82	EFAF 87	8P	159
	3.3	1601	269.80		1.78	EF 87	6P	147
	3.5	1521	256.20		1.87	EFF 87	6P	162
	3.9	1340	225.70	★	2.1	EFA 87	6P	137
						EFAF 87	6P	152
	3.8	1379	232.40	★	1.03	EF 77	6P	95
	4.3	1209	203.70	★	1.18	EFF 77	6P	106
	4.6	1131	190.60	★	1.26	EFA 77	6P	92
5.3	999	168.40	★	1.43	EFAF 77	6P	98	
6.2	845	142.30		1.69				
6.9	761	128.30		1.87				
6.0	878	232.37	★	1.62	EF 77	4P	93	
6.8	770	203.70	★	1.85	EFF 77	4P	104	
7.3	720	190.62	★	1.98	EFA 77	4P	90	
8.3	636	168.38	★	2.2	EFAF 77	4P	96	
9.8	538	142.27		2.7				
11	485	128.35		2.9				
12	440	116.49		3.2				
13	411	108.68		3.5				
15	360	95.31		4.0				
8.3	636	168.33	★	1.22	EF 67	4P	61	
8.8	594	157.17	★	1.31	EFF 67	4P	67	
10	522	138.20	★	1.49	EFA 67	4P	58	
11	464	122.68		1.68	EFAF 67	4P	64	
13	415	109.75		1.88				
15	355	93.94		2.2				
16	338	89.42		2.3				
17	307	81.29		2.5				

EF SERIES REDUCTOR

Power (kW)	Output speed (r/min)	Output torque (N · m)	Ratio (i)		Service factor (fB)	Type	Motor pole	Weight (kg)
0.55	8.8	594	157.09	★	0.96	EF 57	4P	50
	10	515	136.16	★	1.11	EFF 57	4P	56
	11	481	127.27	★	1.19	EFA 57	4P	50
	12	423	111.91		1.35	EFAF 57	4P	55
	15	353	93.47		1.61			
	17	315	83.46		1.81			
	19	271	71.63	★	2.1			
	21	253	66.95	★	2.3			
	24	222	58.87		2.6			
	13	410	108.50	★	0.93	EF 47	4P	40
	16	334	88.50	★	1.14	EFF 47	4P	43
	18	295	78.07		1.29	EFA 47	4P	40
	20	262	69.30		1.45	EFAF 47	4P	42
	21	247	65.42		1.54			
	25	209	55.40		1.82			
	29	181	47.98		2.1			
	33	160	42.47		2.4			
	24	222	58.68		0.86	EF 37	4P	34
	25	209	55.25		0.91	EFF 37	4P	36
	27	197	52.09		0.97	EFA 37	4P	34
	28	184	48.80	★	1.03	EFAF 37	4P	35
	32	163	43.05		1.17			
	36	144	38.21		1.32			
	39	136	36.08		1.39			
	43	122	32.26		1.56			
	48	109	28.95		1.74			
	58	90	23.92	★	2.1			
	67	79	20.82	★	2.4			
	76	69	18.31	★	2.7			
	81	65	17.22		2.9			
	96	55	14.49		3.5			
	107	49	13.00		3.9			
	119	44	11.72		4.1			
	131	40	10.60		4.4			
	152	35	9.17	★	4.8			
	176	30	7.90	★	5.4			
	202	26	6.88		5.1			
230	23	6.04		5.6				
261	20	5.33		5.9				
277	19	5.01		6.0				
331	16	4.20		6.6				
371	14	3.75		7.0				
0.75	0.50	13579	2774		1.26	EF 157ER 97	4P	1016
	0.57	11876	2426		1.44	EFF 157ER 97	4P	1116
	0.83	8244	1684		2.1	EFA 157ER 97	4P	996
	0.95	7137	1458		2.4	EFAF 157ER 97	4P	1046
	1.0	6520	1332		2.6			
	1.2	5649	1154		3.0			
	0.45	14975	3059		0.80	EF 127ER 77	4P	631
	0.52	13193	2695		0.86	EFF 127ER 77	4P	681
	0.60	11308	2310		1.01	EFA 127ER 77	4P	596
	0.69	9810	2004		1.16	EFAF 127ER 77	4P	636
	0.79	8591	1755		1.33			
	0.85	8023	1639		1.42			
	0.75	9027	1844		0.81	EF 107ER 77	4P	381
	0.88	7700	1573		0.97	EFF 107ER 77	4P	406
	1.0	6775	1384		1.08	EFA 107ER 77	4P	366
	1.1	6114	1249		1.19	EFAF 107ER 77	4P	386
	1.3	5365	1096		1.36			
	1.4	4792	979		1.52			
	1.6	4195	857		1.74			
	1.8	3681	752		1.98			
	2.2	3079	629		2.4			
	2.5	2746	561		2.7			
	2.8	2408	492		3.1			
	3.2	2154	440		3.4			

EF SERIES REDUCTOR

Power (kW)	Output speed (r/min)	Output torque (N · m)	Ratio (i)	Service factor (fB)	Type	Motor pole	Weight (kg)
0.75	1.4	4988	1019	0.82	EF 97ER 57	4P	269
	1.5	4401	899	0.93	EFF 97ER 57	4P	304
	1.8	3853	787	1.06	EFA 97ER 57	4P	264
	2.0	3378	690	1.21	EFAF 97ER 57	4P	284
	2.3	2952	603	1.38			
	2.6	2604	532	1.57			
	3.0	2291	468	1.78			
	3.4	1973	403	2.1			
	3.9	1767	361	2.3			
	2.1	3255	665	0.88	EF 87ER 57	4P	174
	2.3	3011	615	0.95	EFF 87ER 57	4P	189
	2.7	2521	515	1.13	EFA 87ER 57	4P	164
	3.1	2183	446	1.31	EFAF 87ER 57	4P	179
	4.1	1659	339	1.72			
	3.7	1836	375	0.80	EF 77ER 37	4P	109
	4.4	1562	319	0.91	EFF 77ER 37	4P	120
	4.9	1390	284	1.02	EFA 77ER 37	4P	106
					EFAF 77ER 37	4P	112
	2.7	2619	248.60 ★	2.8	EF 107	8P	346
					EFF 107	8P	371
					EFA 107	8P	331
					EFAF 107	8P	351
	2.5	2900	275.30 ★	1.41	EF 97	8P	256
	2.8	2601	246.90 ★	1.57	EFF 97	8P	291
	3.0	2416	229.40 ★	1.69	EFA 97	8P	251
					EFAF 97	8P	271
	3.3	2167	275.30 ★	1.89	EF 97	6P	246
	3.7	1943	246.90 ★	2.1	EFF 97	6P	281
	4.0	1806	229.40 ★	2.3	EFA 97	6P	241
					EFAF 97	6P	261
	3.4	2124	269.80 ★	1.34	EF 87	6P	151
	3.6	2017	256.20 ★	1.41	EFF 87	6P	166
	4.0	1776	225.70 ★	1.60	EFA 87	6P	141
4.6	1571	199.60 ★	1.81	EFAF 87	6P	156	
5.2	1381	175.40 ★	2.1				
5.8	1227	155.90 ★	2.3				
5.2	1390	269.75	2.1	EF 87	4P	146	
5.4	1320	256.22	2.2	EFF 87	4P	161	
6.1	1168	226.68 ★	2.4	EFA 87	4P	136	
				EFAF 87	4P	151	
4.5	1603	203.70 ★	0.89	EF 77	6P	99	
4.8	1500	190.60 ★	0.95	EFF 77	6P	110	
5.4	1325	168.40 ★	1.08	EFA 77	6P	96	
6.4	1120	142.30	1.27	EFAF 77	6P	102	
7.1	1010	128.30	1.41				
6.0	1197	232.37 ★	1.19	EF 77	4P	94	
6.8	1050	203.70 ★	1.36	EFF 77	4P	105	
7.3	982	190.62 ★	1.45	EFA 77	4P	91	
8.3	868	168.38 ★	1.64	EFAF 77	4P	97	
9.8	733	142.27	1.94				
11	661	128.35	2.2				
12	600	116.49	2.4				
13	560	108.68	2.5				
15	491	95.31	2.9				
8.3	867	168.33 ★	0.90	EF 67	4P	62	
8.8	810	157.17 ★	0.96	EFF 67	4P	68	
10	712	138.20 ★	1.09	EFA 67	4P	59	
11	632	122.68	1.23	EFAF 67	4P	65	
13	566	109.75	1.38				
15	484	93.94	1.61				

EF SERIES REDUCTOR

Power (kW)	Output speed (r/min)	Output torque (N · m)	Ratio (i)	Service factor (fB)	Type	Motor pole	Weight (kg)	
0.75	16	461	89.42	1.69	EF 67	4P	62	
	17	419	81.29	1.86	EFF 67	4P	68	
	21	342	66.45	2.3	EFA 67	4P	59	
	22	321	62.33	2.4	EFAF 67	4P	65	
	11	656	127.27	★	0.87	EF 57	4P	51
	12	577	111.91		0.99	EFF 57	4P	57
	15	482	93.47		1.18	EFA 57	4P	51
	17	430	83.46		1.33	EFAF 57	4P	56
	19	369	71.63	★	1.54			
	21	345	66.95	★	1.65			
	24	303	58.87		1.88			
	18	402	78.07		0.94	EF 47	4P	41
	20	357	69.30		1.06	EFF 47	4P	44
	21	337	65.42		1.13	EFA 47	4P	41
	25	285	55.40		1.33	EFAF 47	4P	43
	29	247	47.98		1.54			
	33	219	42.47		1.74			
	39	184	35.73		2.1			
	41	174	33.76	★	2.2			
	44	162	31.46	★	2.3			
	47	151	29.40	★	2.5			
	50	142	27.53	★	2.7			
	28	251	48.80		0.80	EF 37	4P	35
	32	222	43.05		0.86	EFF 37	4P	37
	36	197	38.21		0.96	EFA 37	4P	35
	39	186	36.08		1.02	EFAF 37	4P	36
	43	166	32.26		1.14			
	48	149	28.95		1.27			
	58	123	23.92	★	1.54			
	67	107	20.82	★	1.77			
	76	94	18.31	★	2.0			
	81	89	17.22		2.1			
96	75	14.49		2.5				
107	67	13.00		2.8				
119	60	11.72		3.0				
131	55	10.60		3.2				
152	47	9.17	★	3.5				
176	41	7.90	★	4.0				
202	35	6.88		3.8				
230	31	6.04		6.1				
261	27	5.33		4.3				
277	26	5.01		4.4				
331	22	4.20		4.8				
371	19	3.75		5.2				
1.1	0.50	19774	2774	0.86	EF 157ER97	4P	1021	
	0.58	17293	2426	0.99	EFF 157ER97	4P	1121	
	0.65	15404	2161	1.11	EFA 157ER97	4P	1001	
	0.72	13772	1932	1.24	EFAF 157ER97	4P	1051	
	0.83	12004	1684	1.42				
	0.96	10393	1458	1.65				
	1.1	9495	1332	1.80				
	1.2	8226	1154	2.1				
	1.5	6765	949	2.5				
	1.7	6023	845	2.8				
	1.8	5403	758	3.2				
	2.8	3564	500	4.8				
	3.1	3194	448	5.4				
	0.70	14285	2004	0.80	EF 127ER77	4P	636	
	0.80	12510	1755	0.91	EFF 127ER77	4P	686	
	0.85	11683	1639	0.98	EFA 127ER77	4P	601	
	1.0	9802	1375	1.16	EFAF 127ER77	4P	641	
	1.2	8625	1210	1.32				
	1.3	7820	1097	1.46				

EF SERIES REDUCTOR

Power (kW)	Output speed (r/min)	Output torque (N · m)	Ratio (i)	Service factor (fB)	Type	Motor pole	Weight (kg)	
1.1	1.1	8903	1249	0.82	EF 107ER 77	4P	386	
	1.3	7813	1096	0.93	EFF 107ER 77	4P	411	
	1.4	6979	979	1.05	EFA 107ER 77	4P	371	
	1.6	6109	857	1.19	EFAF 107ER 77	4P	391	
	1.9	5361	752	1.36				
	2.2	4484	629	1.63				
	2.0	4919	690	0.83	EF 97ER57	4P	274	
	2.3	4298	603	0.95	EFF 97ER57	4P	309	
	2.6	3792	532	1.08	EFA 97ER57	4P	269	
	3.0	3336	468	1.22	EFAF 97ER57	4P	289	
	3.5	2873	403	1.42				
	3.9	2573	361	1.59				
	3.1	3179	446	0.90	EF 87ER57	4P	179	
	4.1	2417	339	1.18	EFF 87ER57	4P	194	
	4.7	2131	299	1.34	EFA 87ER57	4P	169	
	5.6	1782	250	1.60	EFAF 87ER57	4P	184	
	2.7	3841	248.60	★	1.90	EF 107	8P	349
	3.1	3363	217.70	★	2.2	EFF 107	8P	374
	3.3	3162	204.70	★	2.3	EFA 107	8P	334
3.7	2818	182.40	★	2.6	EFAF 107	8P	354	
3.3	3178	275.30	★	1.29	EF 97	6P	250	
3.7	2850	246.90	★	1.43	EFF 97	6P	285	
4.0	2648	229.40	★	1.54	EFA 97	6P	245	
4.9	2163	187.40		1.89	EFAF 97	6P	265	
5.3	1975	171.10		2.1				
5.1	2066	275.28	★	1.98	EF 97	4P	246	
5.7	1852	246.87	★	2.2	EFF 97	4P	281	
6.1	1721	229.38	★	2.4	EFA 97	4P	241	
					EFAF 97	4P	261	
3.4	3115	269.80	★	0.92	EF 87	6P	155	
3.6	2958	256.20	★	0.96	EFF 87	6P	170	
4.0	2605	225.70	★	1.09	EFA 87	6P	145	
4.6	2304	199.60	★	1.24	EFAF 87	6P	160	
5.2	2025	175.40	★	1.41				
5.8	1800	155.90	★	1.58				
5.2	2024	269.75	★	1.41	EF 87	4P	151	
5.5	1923	256.22	★	1.48	EFF 87	4P	166	
6.2	1701	226.68	★	1.68	EFA 87	4P	141	
7.0	1497	199.56	★	1.90	EFAF 87	4P	156	
8.0	1316	175.45	★	2.2				
9.0	1170	155.93	★	2.4				
11	996	132.75		2.9				
11	947	126.26		3.0				
6.9	1528	203.70	★	0.93	EF 77	4P	99	
7.3	1430	190.62	★	1.00	EFF 77	4P	110	
8.3	1263	168.38	★	1.13	EFA 77	4P	96	
9.8	1068	142.27	★	1.33	EFAF 77	4P	102	
11	963	128.35		1.48				
12	874	116.49	★	1.63				
13	816	108.68	★	1.75				
15	715	95.31		1.99				
17	632	84.26		2.3				
19	563	74.98		2.5				
11	921	122.68	★	0.85	EF 67	4P	67	
13	823	109.75	★	0.95	EFF 67	4P	73	
15	705	93.94		1.11	EFA 67	4P	64	
16	671	89.42		1.16	EFAF 67	4P	70	
17	610	81.29		1.28				
21	499	66.45		1.56				
22	468	62.33		1.67				
25	413	55.03		1.89				
27	386	51.44	★	2.0				

EF SERIES REDUCTOR

Power (kW)	Output speed (r/min)	Output torque (N · m)	Ratio (i)	Service factor (fB)	Type	Motor pole	Weight (kg)	
1.1	33	314	41.81	2.5	EF 67	4P	67	
	36	294	39.16	2.5	EFF 67	4P	73	
	38	276	36.73	2.8	EFA 67	4P	64	
	41	259	34.49	2.7	EFAF 67	4P	70	
	17	626	83.46	0.91	EF 57	4P	56	
	20	537	71.63	★ 1.06	EFF 57	4P	62	
	21	502	66.95	★ 1.13	EFA 57	4P	56	
	24	442	58.87	★ 1.29	EFAF 57	4P	61	
	28	369	49.17	1.54				
	32	329	43.90	1.73				
	38	280	37.32	2.0				
	41	259	34.49	2.2				
	47	222	29.59	2.6				
		25	416	55.40	0.91	EF 47	4P	46
		29	360	47.98	★ 1.06	EFF 47	4P	49
		33	319	42.47	★ 1.19	EFA 47	4P	46
		39	268	35.73	1.42	EFAF 47	4P	48
		41	253	33.76	★ 1.50			
44		236	31.46	★ 1.61				
48		221	29.40	★ 1.72				
51		207	27.53	★ 1.84				
54		194	25.84	★ 1.96				
65		162	21.56	2.3				
70		151	20.07	★ 2.5				
	43	242	32.26	0.80	EF 37	4P	40	
	48	217	28.95	0.87	EFF 37	4P	42	
	59	180	23.92	★ 1.06	EFA 37	4P	40	
	67	156	20.82	★ 1.22	EFAF 37	4P	41	
	76	137	18.31	★ 1.38				
	81	129	17.22	★ 1.47				
	97	109	14.49	1.75				
	108	98	13.00	1.95				
	119	88	11.72	2.1				
	132	80	10.60	2.2				
	153	69	9.17	★ 2.4				
	177	59	7.90	★ 2.7				
	203	52	6.88	★ 2.6				
	232	45	6.04	2.8				
	263	40	5.33	3.0				
	279	38	5.01	3.0				
	333	32	4.20	3.3				
374	28	3.75	3.5					
1.5	0.58	23582	2426	0.80	EF 157ER97	4P	1025	
	0.72	18780	1932	0.91	EFF 157ER97	4P	1125	
	0.83	16369	1684	1.04	EFA 157ER97	4P	1005	
	0.96	14173	1458	1.21	EFAF 157ER97	4P	1055	
	1.1	12948	1332	1.32				
	1.2	11217	1154	1.52				
	1.5	9225	949	1.85				
	1.7	8214	845	2.1				
	1.8	7368	758	2.3				
	2.8	4860	500	3.5				
	3.1	4355	448	3.9				
		0.85	15932	1639	0.80	EF 127ER77	4P	640
		1.0	13366	1375	0.85	EFF 127ER77	4P	690
1.2		11762	1210	0.97	EFA 127ER77	4P	605	
1.3		10663	1097	1.07	EFAF 127ER77	4P	645	
1.5		9011	927	1.27				
1.7		7951	818	1.43				
2.0		6970	717	1.64				
2.1	6416	660	1.78					
	1.4	9516	979	0.80	EF 107ER77	4P	390	
	1.6	8330	857	0.88	EFF 107ER77	4P	415	
	1.9	7310	752	1.00	EFA 107ER77	4P	375	
	2.2	6114	629	1.19	EFAF 107ER77	4P	395	

EF SERIES REDUCTOR

Power (kW)	Output speed (r/min)	Output torque (N · m)	Ratio (i)	Service factor (fB)	Type	Motor pole	Weight (kg)
1.5	2.5	5453	561	1.34	EF 107ER 77	4P	390
	2.8	4783	492	1.56	EFF 107ER 77	4P	415
	3.2	4277	440	1.71	EFA 107ER 77	4P	375
	3.7	3645	375	2.0	EFAF 107ER 77	4P	395
	2.6	5171	532	0.80	EF 97ER 57	4P	278
	3.0	4549	468	0.90	EFF 97ER 57	4P	313
	3.5	3917	403	1.04	EFA 97ER 57	4P	273
	3.9	3509	361	1.16	EFAF 97ER 57	4P	293
	4.1	3295	339	0.86	EF 87ER 57	4P	183
	4.7	2906	299	0.98	EFF 87ER 57	4P	198
	5.6	2430	250	1.17	EFA 87ER 57	4P	173
					EFAF 87ER 57	4P	188
	2.8	5161	248.60	★ 1.41	EF 107	8P	357
	3.2	4520	217.70	★ 1.61	EFF 107	8P	382
	3.4	4250	204.70	★ 1.72	EFA 107	8P	342
	3.8	3787	182.40	★ 1.93	EFAF 107	8P	362
	3.7	3871	248.60	★ 1.88	EF 107	6P	346
	4.2	3390	217.70	★ 2.2	EFF 107	6P	371
	4.5	3187	204.70	★ 2.3	EFA 107	6P	331
	5.0	2840	182.40	★ 2.6	EFAF 107	6P	351
	3.3	4287	275.30	★ 0.95	EF 97	6P	256
	3.7	3844	246.90	★ 1.06	EFF 97	6P	291
	4.0	3572	229.40	★ 1.14	EFA 97	6P	251
	4.9	2918	187.40	1.40	EFAF 97	6P	271
	5.4	2664	171.10	1.53			
	5.1	2817	275.28	★ 1.45	EF 97	4P	250
	5.7	2526	246.87	★ 1.62	EFF 97	4P	285
	6.1	2347	229.38	★ 1.74	EFA 97	4P	245
	7.5	1918	187.44	2.1	EFAF 97	4P	265
	8.2	1751	171.13	2.3			
	5.2	2760	269.75	★ 1.03	EF 87	4P	155
	5.5	2622	256.22	★ 1.09	EFF 87	4P	170
	6.2	2319	226.68	★ 1.23	EFA 87	4P	145
	7.0	2042	199.56	★ 1.40	EFAF 87	4P	160
	8.0	1795	175.45	★ 1.59			
	9.0	1595	155.93	1.79			
	11	1358	132.75	2.1			
	11	1292	126.26	2.2			
	13	1142	111.59	2.5			
	8.3	1723	168.38	★ 0.83	EF 77	4P	103
	9.8	1456	142.27	★ 0.98	EFF 77	4P	114
	11	1313	128.35	1.09	EFA 77	4P	100
	12	1192	116.49	★ 1.20	EFAF 77	4P	106
	13	1112	108.68	★ 1.28			
	15	975	95.31	1.46			
	17	862	84.26	1.65			
	19	767	74.98	1.86			
	22	657	64.22	★ 2.2			
	23	615	60.07	2.3			
	25	576	56.32	2.5			
	28	509	49.79	2.8			
	32	453	44.30	3.1			
	37	384	37.55	3.7			
	41	346	33.79	4.1			
	44	328	32.10	4.3			
	16	915	89.42	0.85	EF 67	4P	71
	17	832	81.29	0.94	EFF 67	4P	77
	21	680	66.45	1.15	EFA 67	4P	68
	22	638	62.33	1.22	EFAF 67	4P	74
	25	563	55.03	1.38			
	27	526	51.44	★ 1.48			
	33	428	41.81	1.82			

EF SERIES REDUCTOR

Power (kW)	Output speed (r/min)	Output torque (N · m)	Ratio (i)	Service factor (fB)	Type	Motor pole	Weight (kg)	
1.5	36	401	39.16	1.85	EF 67	4P	71	
	38	376	36.73	2.1	EFF 67	4P	77	
	41	353	34.49	1.99	EFA 67	4P	68	
	43	332	32.43	2.3	EFAF 67	4P	74	
	50	289	28.26	2.7				
	57	253	24.75	3.1				
	24	602	58.87	★	0.95	EF 57	4P	60
	28	503	49.17		1.13	EFF 57	4P	66
	32	449	43.90		1.27	EFA 57	4P	60
	38	382	37.32		1.49	EFAF 57	4P	65
	41	353	34.49		1.35			
	47	303	29.59		1.71			
	33	435	42.47	★	0.87	EF 47	4P	50
	39	366	35.73		1.04	EFF 47	4P	53
	41	345	33.76	★	1.10	EFA 47	4P	50
	44	322	31.46	★	1.18	EFAF 47	4P	52
	48	301	29.40	★	1.26			
	51	282	27.53	★	1.35			
	54	264	25.84	★	1.44			
	65	221	21.56		1.72			
	70	205	20.07	★	1.85			
	80	179	17.47		2.1			
	86	167	16.33		2.3			
	98	147	14.32		2.6			
	67	213	20.82	★	0.89	EF 37	4P	44
	76	187	18.31	★	1.01	EFF 37	4P	46
	81	176	17.22	★	1.08	EFA 37	4P	44
	97	148	14.49		1.28	EFAF 37	4P	45
	108	133	13.00		1.43			
	119	120	11.72		1.51			
	132	108	10.60		1.62			
	153	94	9.17	★	1.77			
	177	81	7.90	★	2.0			
203	70	6.88	★	1.89				
232	62	6.04		2.1				
263	55	5.33		2.2				
279	51	5.01		2.2				
333	43	4.20		2.4				
374	38	3.75		2.6				
2.2	1.1	18723	1332	0.91	EF 157ER97	4P	1033	
	1.2	16221	1154	1.05	EFF 157ER97	4P	1133	
	1.5	13339	949	1.28	EFA 157ER97	4P	1013	
	1.7	11877	845	1.44	EFAF 157ER97	4P	1063	
	1.9	10654	758					
	2.1	9614	684		1.78			
	2.5	7970	567		2.1			
	2.8	7028	500		2.4			
	3.2	6297	448		2.7			
	4.8	4147	295		4.1			
	5.4	3697	263		4.6			
	6.2	3233	230		5.3			
	7.4	2713	193		6.3			
	1.3	15419	1097		0.80	EF 127ER77	4P	648
	1.5	13030	927		0.87	EFF 127ER77	4P	698
	1.7	11498	818		0.99	EFA 127ER77	4P	613
	2.0	10078	717		1.13	EFAF 127ER77	4P	653
	2.2	9277	660		1.23			
	2.6	7703	548		1.48			
	2.8	7140	508		1.60			
	3.3	6016	428		1.89			
	2.3	8841	629		0.83	EF 107ER77	4P	398
	2.5	7885	561		0.93	EFF 107ER77	4P	423
	2.9	6916	492		1.08	EFA 107ER77	4P	383
	3.2	6185	440		1.18	EFAF 107ER77	4P	403
	3.8	5271	375		1.38			
	4.2	4723	336		1.54			

EF SERIES REDUCTOR

Power (kW)	Output speed (r/min)	Output torque (N · m)	Ratio (i)	Service factor (fB)	Type	Motor pole	Weight (kg)	
2.2	3.9	5074	361	0.81	EF 97ER 57	4P	286	
	4.9	4062	289	1.01	EFF 97ER 57	4P	321	
	5.9	3373	240	1.21	EFA 97ER 57	4P	281	
					EFAF 97ER 57	4P	301	
	2.9	7356	248.60	★	0.99	EF 107	8P	371
	3.3	6442	217.70	★	1.13	EFF 107	8P	396
	3.5	6057	204.70	★	1.20	EFA 107	8P	356
	3.9	5397	182.40	★	1.35	EFAF 107	8P	376
	3.8	5556	248.60	★	1.31	EF 107	6P	356
	4.3	4866	217.70	★	1.50	EFF 107	6P	381
4.6	4575	204.70	★	1.59	EFA 107	6P	341	
5.2	4077	182.40	★	1.79	EFAF 107	6P	361	
5.7	3678	248.60	★	1.98	EF 107	4P	348	
6.5	3222	217.73	★	2.3	EFF 107	4P	373	
6.9	3029	204.73	★	2.4	EFA 107	4P	333	
7.8	2699	182.45	★	2.7	EFAF 107	4P	353	
4.1	5127	229.40	★	0.80	EF 97	6P	266	
5.0	4189	187.40		0.98	EFF 97	6P	301	
5.5	3824	171.10		1.07	EFA 97	6P	261	
6.0	3511	157.10	★	1.16	EFAF 97	6P	281	
5.2	4073	275.28	★	1.00	EF 97	4P	258	
5.8	3653	246.87	★	1.12	EFF 97	4P	293	
6.2	3394	229.38	★	1.20	EFA 97	4P	253	
7.6	2773	187.44		1.47	EFAF 97	4P	273	
8.3	2532	171.13		1.61				
9.0	2324	157.07	★	1.76				
10	2045	138.20		2.0				
11	1842	124.52		2.2				
7.1	2953	199.56	★	0.97	EF 87	4P	163	
8.1	2596	175.45	★	1.10	EFF 87	4P	178	
9.1	2307	155.93	★	1.24	EFA 87	4P	153	
11	1964	132.75	★	1.45	EFAF 87	4P	168	
11	1868	126.26		1.53				
13	1651	111.59		1.73				
14	1484	100.30		1.92				
17	1268	85.67	★	2.2				
19	1122	75.81	★	2.5				
21	1001	67.66		2.8				
25	855	57.79		3.3				
28	739	49.96		3.8				
32	655	44.25		4.1				
12	1724	116.49	★	0.83	EF 77	4P	111	
13	1608	108.68	★	0.89	EFF 77	4P	122	
15	1410	95.31	★	1.01	EFA 77	4P	108	
17	1247	84.26		1.14	EFAF 77	4P	114	
19	1109	74.98		1.28				
22	950	64.22	★	1.50				
24	889	60.07	★	1.60				
25	833	56.32	★	1.71				
29	737	49.79		1.93				
32	656	44.30		2.2				
38	556	37.55		2.6				
42	500	33.79		2.9				
44	475	32.10		3.0				
48	437	29.53		3.3				
57	369	24.94		3.9				
23	922	62.33		0.84	EF 67	4P	79	
26	814	55.03		0.96	EFF 67	4P	85	
28	761	51.44	★	1.02	EFA 67	4P	76	
34	619	41.81		1.26	EFAF 67	4P	82	
36	579	39.16		1.34				

EF SERIES REDUCTOR

Power (kW)	Output speed (r/min)	Output torque (N · m)	Ratio (i)		Service factor (fB)	Type	Motor pole	Weight (kg)
2.2	39	543	36.73		1.43	EF 67	4P	79
	41	510	34.49		1.38	EFF 67	4P	85
	44	480	32.43		1.62	EFA 67	4P	76
	50	418	28.26	★	1.86	EFAF 67	4P	82
	57	366	24.75		2.1			
	65	323	21.80		2.4			
	69	303	20.50		2.6			
	78	269	18.17		2.9			
	32	650	43.90	★	0.88	EF 57	4P	68
	38	552	37.32	★	1.03	EFF 57	4P	74
	41	510	34.49	★	1.12	EFA 57	4P	68
	48	438	29.59		1.18	EFAF 57	4P	73
	57	369	24.96	★	1.48			
	67	313	21.17	★	1.82			
	74	283	19.11	★	2.0			
	86	245	16.54	★	2.3			
	92	228	15.44	★	2.5			
	55	382	25.84	★	0.99	EF 47	4P	58
	66	319	21.56	★	1.19	EFF 47	4P	61
	71	297	20.07	★	1.28	EFA 47	4P	58
	81	258	17.47	★	1.47	EFAF 47	4P	60
	87	242	16.33	★	1.57			
	99	212	14.32		1.79			
	112	188	12.72		2.0			
	127	165	11.18		2.3			
	153	137	9.29		2.8			
	96	218	14.72	★	0.87	EF 37	4P	52
	110	191	12.91		0.99	EFF 37	4P	54
	125	168	11.36		1.07	EFA 37	4P	52
	143	147	9.92		1.20	EFAF 37	4P	53
	155	136	9.17	★	1.23			
	180	117	7.90	★	1.38			
	206	102	6.88	★	1.31			
	235	89	6.04	★	1.44			
	267	79	5.33		1.51			
	283	74	5.01		1.54			
	338	62	4.20		1.68			
379	55	3.75		1.88				
3	1.2	22119	1154		0.80	EF 157ER97	4P	1037
	1.5	18190	949		0.94	EFF 157ER97	4P	1137
	1.7	16196	845		1.06	EFA 157ER97	4P	1017
	1.9	14529	758		1.18	EFAF 157ER97	4P	1067
	2.1	13110	684		1.30			
	2.5	10868	567		1.57			
	2.8	9584	500		1.78			
	3.2	8587	448		1.99			
	4.8	5654	295		3.0			
	5.4	5041	263		3.4			
	6.2	4408	230		3.9			
	7.4	3699	193		4.6			
	2.0	13743	717		0.83	EF 127ER77	4P	652
	2.2	12650	660		0.90	EFF 127ER77	4P	702
	2.6	10504	548		1.09	EFA 127ER77	4P	617
	2.8	9737	508		1.17	EFAF 127ER77	4P	657
	3.2	8434	440		0.87	EF 107ER77	4P	402
	3.8	7188	375		1.02	EFF 107ER77	4P	427
	4.2	6440	336		1.13	EFA 107ER77	4P	387
						EFAF 107ER77	4P	407
	4.4	6497	217.70	★	1.12	EF 107	6P	379
	4.7	6109	204.70	★	1.19	EFF 107	6P	404
	5.3	5444	182.40	★	1.34	EFA 107	6P	364
						EFAF 107	6P	384

EF SERIES REDUCTOR

Power (kW)	Output speed (r/min)	Output torque (N·m)	Ratio (i)		Service factor (fB)	Type	Motor pole	Weight (kg)
3	5.7	5016	248.60	★	1.45	EF 107	4P	352
	6.5	4393	217.73	★	1.66	EFF 107	4P	377
	6.9	4131	204.73	★	1.77	EFA 107	4P	337
	7.8	3681	182.45	★	1.98	EFAF 107	4P	357
	8.7	3310	164.04		2.2			
	6.2	4628	229.38	★	0.88	EF 97	4P	262
	7.6	3782	187.44		1.08	EFF 97	4P	297
	8.3	3453	171.13		1.18	EFA 97	4P	257
	9.0	3169	157.07	★	1.29	EFAF 97	4P	277
	10	2788	138.20		1.47			
	11	2512	124.52		1.63			
	13	2277	112.87		1.79			
	14	2075	102.83		1.97			
	15	1863	92.35		2.2			
	16	1753	86.91		2.3			
	11	2678	132.75	★	1.06	EF 87	4P	167
	11	2547	126.26		1.12	EFF 87	4P	182
	13	2251	111.59		1.27	EFA 87	4P	157
	14	2024	100.30		1.41	EFAF 87	4P	172
	17	1728	85.67	★	1.65			
	19	1529	75.81	★	1.86			
	21	1365	67.66		2.1			
	25	1166	57.79		2.4			
	28	1008	49.96		2.8			
	32	893	44.25		3.0			
	17	1700	84.26		0.84	EF 77	4P	115
	19	1513	74.98		0.94	EFF 77	4P	126
	22	1296	64.22	★	1.10	EFA 77	4P	112
	24	1212	60.07	★	1.18	EFAF 77	4P	118
	25	1136	56.32	★	1.25			
	29	1005	49.79		1.42			
	32	894	44.30		1.59			
	38	758	37.55		1.88			
42	682	33.79		2.1				
44	648	32.10		2.2				
48	596	29.53		2.4				
57	503	24.94		2.7				
67	429	21.26		3.3				
34	844	41.81		0.92	EF 67	4P	83	
36	790	39.16		0.94	EFF 67	4P	89	
39	741	36.73		1.05	EFA 67	4P	80	
41	696	34.49		1.01	EFAF 67	4P	86	
44	654	32.43		1.19				
50	570	28.26	★	1.37				
57	499	24.75		1.56				
65	440	21.80		1.77				
69	414	20.50		1.88				
78	367	18.17		2.1				
88	326	16.15		2.4				
99	290	14.38		2.7				
57	504	24.96	★	1.08	EF 57	4P	72	
67	427	21.17	★	1.33	EFF 57	4P	78	
74	386	19.11	★	1.48	EFA 57	4P	72	
86	334	16.54	★	1.71	EFAF 57	4P	77	
92	312	15.44	★	1.83				
105	273	13.52		2.1				
119	240	11.91		2.4				
135	213	10.54		2.7				
71	405	20.07	★	0.94	EF 47	4P	62	
81	352	17.47	★	1.08	EFF 47	4P	65	
87	330	16.33	★	1.15	EFA 47	4P	62	
99	289	14.32		1.31	EFAF 47	4P	64	
112	257	12.72		1.48				
127	226	11.18		1.68				
153	187	9.29		1.67				

EF SERIES REDUCTOR

Power (kW)	Output speed (r/min)	Output torque (N · m)	Ratio (i)		Service factor (fB)	Type	Motor pole	Weight (kg)
3	125	229	11.36		0.80	EF 37	4P	56
	143	200	9.92		0.88	EFF 37	4P	58
	155	185	9.17	★	0.90	EFA 37	4P	56
	180	159	7.90	★	1.01	EFAF 37	4P	57
	206	139	6.88	★	0.96			
	235	122	6.04	★	1.05			
	267	107	5.33		1.10			
	283	101	5.01		1.13			
	338	85	4.20		1.23			
	379	76	3.75		1.32			
4	1.7	21295	845		0.80	EF 157ER97	4P	1045
	1.9	19103	758		0.90	EFF 157ER97	4P	1145
	2.1	17238	684		0.99	EFA 157ER97	4P	1025
	2.5	14289	567		1.20	EFAF 157ER97	4P	1075
	2.9	12601	500		1.36			
	3.2	11290	448		1.51			
	4.9	7434	295		2.3			
	5.5	6628	263		2.6			
	6.3	5796	230		3.0			
	7.5	4864	193		3.5			
	2.6	13810	548		0.83	EF 127ER77	4P	660
	2.8	12802	508		0.89	EFF 127ER77	4P	710
	3.4	10786	428		1.06	EFA 127ER77	4P	625
	3.9	9400	373		1.21	EFAF 127ER77	4P	665
	4.3	8468	336		0.86	EF 107ER77	4P	410
	4.9	7409	294		0.98	EFF 107ER77	4P	435
	5.6	6502	258		1.12	EFA 107ER77	4P	395
						EFAF 107ER77	4P	415
	4.1	9290	175.10	★	1.23	EF 127	8P	670
	4.6	8266	155.80	★	1.38	EFF 127	8P	720
	5.7	6712	126.50		1.70	EFA 127	8P	635
						EFAF 127	8P	675
	5.8	6595	248.60	★	1.11	EF 107	4P	360
	6.6	5776	217.73	★	1.26	EFF 107	4P	385
	7.0	5431	204.73	★	1.34	EFA 107	4P	345
	7.9	4840	182.45	★	1.51	EFAF 107	4P	365
	8.8	4352	164.04		1.68			
	9.7	3941	148.58		1.85			
	11	3436	129.53		2.1			
	12	3070	115.72		2.4			
	15	2626	98.99		2.8			
	8.4	4540	171.13		0.90	EF 97	4P	270
	9.2	4167	157.07	★	0.98	EFF 97	4P	305
	10	3666	138.20		1.11	EFA 97	4P	265
	12	3303	124.52		1.24	EFAF 97	4P	285
	13	2994	112.87		1.36			
	14	2728	102.83		1.50			
	16	2450	92.35		1.67			
	17	2306	86.91		1.77			
	18	2173	81.92		1.88			
	19	2052	77.34		1.99			
	20	1939	73.10		2.1			
23	1691	63.75		2.4				
13	2960	111.59		0.96	EF 87	4P	175	
14	2661	100.30		1.07	EFF 87	4P	190	
17	2273	85.67	★	1.25	EFA 87	4P	165	
19	2011	75.81	★	1.42	EFAF 87	4P	180	
21	1795	67.66		1.59				
25	1533	57.79		1.86				
29	1325	49.96		2.1				
33	1174	44.25		2.3				

EF SERIES REDUCTOR

Power (kW)	Output speed (r/min)	Output torque (N · m)	Ratio (i)		Service factor (fB)	Type	Motor pole	Weight (kg)
4	22	1704	64.22	★	0.84	EF 77	4P	123
	24	1594	60.07	★	0.89	EFF 77	4P	134
	26	1494	56.32	★	0.95	EFA 77	4P	120
	29	1321	49.79		1.08	EFAF 77	4P	126
	33	1175	44.30		1.21			
	38	996	37.55		1.43			
	43	896	33.79		1.59			
	45	851	32.10		1.67			
	49	783	29.53		1.82			
	58	662	24.94		2.2			
	68	564	21.26		2.5			
	72	530	19.99		2.7			
	51	750	28.26	★	1.04	EF 67	4P	91
	58	657	24.75		1.19	EFF 67	4P	97
	66	578	21.80		1.35	EFA 67	4P	88
	70	544	20.50		1.43	EFAF 67	4P	94
	79	482	18.17		1.62			
	89	428	16.15		1.82			
	103	372	14.04	★	2.1			
	110	347	13.06	★	2.2			
	126	302	11.40	★	2.6			
	152	251	9.45		3.1			
	162	236	8.91		2.1			
	171	223	8.41		2.4			
	188	203	7.66		2.9			
	217	176	6.64		3.3			
	249	154	5.79		3.8			
	266	144	5.42		3.9			
	303	126	4.75		4.2			
	68	562	21.17	★	1.01	EF 57	4P	80
	75	507	19.11	★	1.12	EFF 57	4P	86
	87	439	16.54	★	1.30	EFA 57	4P	80
	93	410	15.44	★	1.39	EFAF 57	4P	85
107	359	13.52		1.59				
121	316	11.91		1.80				
137	280	10.54		2.0				
155	247	9.31	★	1.62				
179	214	8.06	★	1.87				
191	199	7.52	★	2.0				
219	175	6.58		2.3				
248	154	5.80		2.6				
281	136	5.13		2.9				
5.5	2.5	19648	567		0.87	EF 157ER97	4P	1064
	2.9	17326	500		0.99	EFF 157ER97	4P	1164
	3.2	15524	448		1.10	EFA 157ER97	4P	1044
	4.1	12163	351		1.41	EFAF 157ER97	4P	1094
	4.9	10222	295		1.67			
	5.5	9113	263		1.88			
	6.3	7970	230		2.1			
	7.1	7000	202		2.4			
	7.5	6688	193		2.6			
	3.5	14311	413		0.80	EF 127ER87	4P	709
	3.9	12925	373		0.88	EFF 127ER87	4P	759
	4.6	10777	311		1.06	EFA 127ER87	4P	674
	4.9	10222	295		1.12	EFAF 127ER87	4P	714
	5.4	9183	265		1.24			
	6.6	7589	219		1.50			
	3.4	14831	428		0.80	EF 127ER77	4P	679
	3.9	12925	373		0.88	EFF 127ER77	4P	729
						EFA 127ER77	4P	644
						EFAF 127ER77	4P	684
	2.6	19916	273.00	★	0.86	EF 157	8P	995
	3.3	15829	216.98		1.08	EFF 157	8P	1095
	4.0	13000	178.20		1.32	EFA 157	8P	975
	4.4	11888	162.96		1.44	EFAF 157	8P	1025

EF SERIES REDUCTOR

Power (kW)	Output speed (r/min)	Output torque (N · m)	Ratio (i)	Service factor (fB)	Type	Motor pole	Weight (kg)	
5.5	5.0	10490	143.80	1.63	EF 157	8P	995	
	5.6	9339	128.01	1.83	EFF 157	8P	1095	
	6.5	8086	110.84	2.1	EFA 157	8P	975	
	7.4	7072	96.94	2.4	EFAF 157	8P	1025	
	8.5	6152	84.33	2.8				
	9.3	5626	77.12	3.0				
	11	4964	68.05	3.4				
	4.1	12774	175.10	★	0.89	EF 127	8P	690
	4.6	11366	155.80	★	1.00	EFF 127	8P	740
	5.7	9228	126.50		1.24	EFA 127	8P	655
	6.4	8207	112.50		1.39	EFAF 127	8P	695
	6.6	7942	217.73	★	0.92	EF 107	4P	379
	7.0	7468	204.73	★	0.98	EFF 107	4P	404
	7.9	6655	182.45	★	1.10	EFA 107	4P	364
	8.8	5984	164.04	★	1.22	EFAF 107	4P	384
	9.7	5419	148.58		1.35			
	11	4725	129.53		1.54			
	12	4221	115.72		1.73			
	15	3611	98.99		2.0			
	15	3438	94.24		2.1			
	16	3277	89.83		2.2			
	17	3127	85.73		2.3			
	12	4542	124.52		0.90	EF 97	4P	289
	13	4117	112.87		0.99	EFF 97	4P	324
	14	3751	102.83		1.09	EFA 97	4P	284
	16	3369	92.35		1.21	EFAF 97	4P	304
	17	3170	86.91		1.29			
	18	2988	81.92		1.37			
	19	2821	77.34		1.45			
	20	2666	73.10		1.53			
	23	2325	63.75		1.76			
	24	2175	59.63		1.88			
	27	1915	52.51		2.1			
	17	3125	85.67	★	0.91	EF 87	4P	194
	19	2765	75.81	★	1.03	EFF 87	4P	209
	21	2468	67.66	★	1.15	EFA 87	4P	184
	25	2108	57.79		1.35	EFAF 87	4P	199
	29	1822	49.96		1.53			
	33	1614	44.25		1.66			
	38	1398	38.33		1.85			
	40	1305	35.77		1.90			
	56	941	25.79		3.0			
60	881	24.14		3.2				
29	1816	49.79	★	0.80	EF 77	4P	142	
33	1616	44.30		0.88	EFF 77	4P	153	
38	1369	37.55		1.04	EFA 77	4P	139	
43	1233	33.79		1.16	EFAF 77	4P	145	
45	1171	32.10		1.22				
49	1077	29.53		1.32				
58	910	24.94		1.51				
68	776	21.26		1.84				
72	729	19.99	★	1.95				
81	652	17.88		2.2				
94	558	15.30		2.6				
104	506	13.87		2.8				
119	440	12.07		3.2				
66	795	21.80		0.98	EF 67	4P	110	
70	748	20.50		1.04	EFF 67	4P	116	
79	663	18.17		1.18	EFA 67	4P	107	
89	589	16.15		1.32	EFAF 67	4P	113	
103	512	14.04	★	1.52				
110	476	13.06	★	1.63				
126	416	11.40	★	1.87				
152	345	9.45	★	2.3				

EF SERIES REDUCTOR

Power (kW)	Output speed (r/min)	Output torque (N·m)	Ratio (i)		Service factor (fB)	Type	Motor pole	Weight (kg)
5.5	162	325	8.91		1.55	EF 67	4P	110
	171	307	8.41		1.77	EFF 67	4P	116
	188	279	7.66		2.1	EFA 67	4P	107
	217	242	6.64		2.4	EFAF 67	4P	113
	249	211	5.79		2.7			
	266	198	5.42		2.8			
	303	173	4.75		3.1			
	87	603	16.54	★	0.94	EF 57	4P	99
	93	563	15.44	★	1.01	EFF 57	4P	105
	107	493	13.52	★	1.16	EFA 57	4P	99
	121	434	11.91		1.31	EFAF 57	4P	104
	137	384	10.54		1.48			
	179	294	8.06	★	1.36			
	191	274	7.52	★	1.45			
	219	240	6.58	★	1.66			
	248	212	5.80		1.89			
	281	187	5.13		2.1			
7.5	4.7	14494	311		0.80	EF 127ER87	4P	722
	4.9	13749	295		0.83	EFF 127ER87	4P	772
	5.5	12350	265		0.92	EFA 127ER87	4P	687
	6.7	10207	219		1.12	EFAF 127ER87	4P	727
	7.3	9321	200		1.22			
	3.3	21585	216.98		0.80	EF 157	8P	1012
	4.0	17727	178.20		0.96	EFF 157	8P	1112
	4.4	16211	162.96		1.05	EFA 157	8P	992
	5.0	14305	143.80		1.20	EFAF 157	8P	1042
	5.6	12734	128.01		1.34			
	6.5	11026	110.84		1.55			
	7.4	9644	96.94		1.77			
	8.5	8389	84.33		2.0			
	9.3	7672	77.12		2.2			
	11	6770	68.05		2.5			
	12	5994	60.25		2.9			
	14	5197	52.24		3.3			
	16	4564	45.88		3.7			
	19	3787	38.07		4.5			
	3.5	20368	273.00	★	0.84	EF 157	6P	985
	4.4	16189	216.98		1.06	EFF 157	6P	1085
	5.4	13295	178.20		1.29	EFA 157	6P	965
	5.9	12158	162.96		1.41	EFAF 157	6P	1015
	6.7	10729	143.80		1.59			
	7.5	9551	128.01		1.79			
	8.7	8270	110.84		2.1			
	9.9	7233	96.94		2.4			
	11	6292	84.33		2.7			
	12	5754	77.12		3.0			
	14	5077	68.05		3.4			
	16	4495	60.25		3.8			
	18	3898	52.24		4.4			
	5.7	12584	126.50		0.91	EF 127	8P	707
	6.4	11191	112.50		1.02	EFF 127	8P	757
	7.1	10028	100.80		1.14	EFA 127	8P	672
	8.3	8615	86.60		1.32	EFAF 127	8P	712
	5.5	13064	175.10	★	0.87	EF 127	6P	680
6.2	11624	155.80	★	0.98	EFF 127	6P	730	
7.6	9438	126.50		1.21	EFA 127	6P	645	
8.5	8394	112.50		1.36	EFAF 127	6P	685	
8.3	8592	175.13	★	1.33	EF 127	4P	642	
9.4	7645	155.83		1.49	EFF 127	4P	692	
12	6206	126.50		1.84	EFA 127	4P	607	
					EFAF 127	4P	647	

EF SERIES REDUCTOR

Power (kW)	Output speed (r/min)	Output torque (N · m)	Ratio (i)		Service factor (fB)	Type	Motor pole	Weight (kg)
7.5	8.0	8951	182.45	★	0.82	EF 107	4P	392
	8.9	8048	164.04	★	0.91	EFF 107	4P	417
	9.8	7289	148.58		1.00	EFA 107	4P	377
	11	6354	129.53		1.15	EFAF 107	4P	397
	13	5677	115.72		1.29			
	15	4856	98.99		1.50			
	15	4623	94.24		1.58			
	16	4407	89.83		1.66			
	17	4206	85.73		1.73			
	19	3758	76.60		1.94			
	22	3306	67.40		2.2			
	16	4531	92.35		0.90	EF 97	4P	302
	17	4264	86.91		0.96	EFF 97	4P	337
	18	4019	81.92		1.02	EFA 97	4P	297
	19	3794	77.34		1.08	EFAF 97	4P	317
	20	3586	73.10		1.14			
	23	3127	63.75		1.31			
	24	2925	59.63		1.40			
	28	2576	52.51		1.59			
	34	2133	43.48		1.92			
	38	1868	38.08		2.2			
	41	1752	35.71		1.66			
44	1645	33.54		2.5				
46	1547	31.53		2.6				
49	1456	29.68		2.8				
25	2835	57.79		1.01	EF 87	4P	207	
29	2451	49.96		1.16	EFF 87	4P	222	
33	2171	44.25		1.31	EFA 87	4P	197	
38	1880	38.33		1.52	EFAF 87	4P	212	
41	1755	35.77		1.62				
57	1265	25.79		2.3				
60	1184	24.14		2.4				
69	1041	21.22		2.7				
78	918	18.72		3.1				
83	859	17.51		3.3				
94	765	15.59		3.7				
43	1658	33.79		0.86	EF 77	4P	155	
45	1575	32.10		0.91	EFF 77	4P	166	
49	1449	29.53		0.98	EFA 77	4P	152	
59	1223	24.94		1.16	EFAF 77	4P	158	
69	1043	21.26		1.37				
73	981	19.99		1.45				
82	877	17.88		1.62				
95	750	15.30		1.90				
105	681	13.87		2.1				
121	592	12.07		2.4				
136	526	10.73		2.7				
161	445	9.06		2.3				
181	396	8.07		2.6				
192	373	7.59		2.8				
216	331	6.75		3.1				
256	280	5.70		3.7				
293	244	4.98		4.2				
343	209	4.26		4.6				
11	4.9	20165	295		0.85	EF 157ER97	4P	1115
	5.6	17977	263		0.95	EFF 157ER97	4P	1215
	6.3	15722	230		1.09	EFA 157ER97	4P	1095
	7.2	13808	202		1.24	EFAF 157ER97	4P	1145
	7.6	13192	193		1.30			
	6.7	14970	219		0.80	EF 127ER87	4P	760
	7.3	13671	200		0.83	EFF 127ER87	4P	810
	9.0	11142	163		1.02	EFA 127ER87	4P	725
						EFAF 127ER87	4P	765
	5.1	20693	143.80		0.83	EF 157	8P	1046
	5.7	18421	128.01		0.93	EFF 157	8P	1146
	6.6	15950	110.84		1.07	EFA 157	8P	1026
	7.5	13950	96.94		1.23	EFAF 157	8P	1076

EF SERIES REDUCTOR

Power (kW)	Output speed (r/min)	Output torque (N · m)	Ratio (i)	Service factor (fB)	Type	Motor pole	Weight (kg)	
11	5.4	19500	178.20	0.88	EF 157	6P	1030	
	5.9	17832	162.96	0.96	EFF 157	6P	1130	
	6.7	15736	143.80	1.09	EFA 157	6P	1010	
	7.5	14008	128.01	1.22	EFAF 157	6P	1060	
	8.7	12129	110.84	1.41				
	9.9	10608	96.94	1.61				
	11	9228	84.33	1.85				
	12	8439	77.12	2.0				
	5.3	19643	273.00	★	0.87	EF 157	4P	985
	6.7	15612	216.98		1.10	EFF 157	4P	1085
8.2	12822	178.20		1.33	EFA 157	4P	965	
9.0	11725	162.96		1.46	EFAF 157	4P	1015	
10	10347	143.80		1.65				
11	9211	128.01		1.86				
13	7975	110.84		2.1				
15	6975	96.94		2.5				
17	6068	84.33		2.8				
19	5549	77.12		3.1				
21	4896	68.05		3.5				
7.6	13843	126.50		0.82	EF 127	6P	725	
8.5	12311	112.50		0.93	EFF 127	6P	775	
9.5	11030	100.80		1.03	EFA 127	6P	690	
11	9476	86.60		1.20	EFAF 127	6P	730	
12	8459	77.30		1.35				
8.3	12601	175.13	★	0.90	EF 127	4P	680	
9.4	11213	155.83	★	1.02	EFF 127	4P	730	
12	9102	126.50		1.25	EFA 127	4P	645	
13	8095	112.50		1.41	EFAF 127	4P	685	
14	7255	100.83		1.57				
17	6229	86.57		1.83				
19	5559	77.26		2.1				
13	8326	115.72		0.88	EF 107	4P	430	
15	7123	98.99		1.02	EFF 107	4P	455	
15	6781	94.24		1.08	EFA 107	4P	415	
16	6464	89.83		1.13	EFAF 107	4P	435	
17	6168	85.73		1.18				
19	5512	76.60		1.32				
22	4849	67.40		1.50				
25	4233	58.84		1.72				
28	3725	51.77		1.96				
34	3108	43.20		2.3				
38	2771	38.51		2.6				
42	2478	34.45		2.8				
45	2346	32.60		3.1				
54	1949	27.09		3.8				
57	1838	25.54		4.1				
23	4587	63.75		0.89	EF 97	4P	340	
24	4290	59.63		0.95	EFF 97	4P	375	
28	3778	52.51		1.08	EFA 97	4P	335	
34	3128	43.48		0.93	EFAF 97	4P	355	
38	2740	38.08		1.49				
41	2570	35.71		1.13				
44	2413	33.54		1.69				
46	2269	31.53		1.80				
49	2135	29.68		1.91				
52	2011	27.95		2.0				
59	1788	24.84		2.3				
65	1628	22.63		2.5				
38	2758	38.33		0.94	EF 87	4P	245	
41	2574	35.77		0.96	EFF 87	4P	260	
57	1856	25.79		1.54	EFA 87	4P	235	
60	1737	24.14		1.64	EFAF 87	4P	250	

EF SERIES REDUCTOR

Power (kW)	Output speed (r/min)	Output torque (N · m)	Ratio (i)		Service factor (fB)	Type	Motor pole	Weight (kg)	
11	69	1527	21.22		1.87	EF 87	4P	245	
	78	1347	18.72		2.1	EFF 87	4P	260	
	83	1260	17.51		2.3	EFA 87	4P	235	
	94	1122	15.59		2.5	EFAF 87	4P	250	
	110	955	13.27		3.0				
	73	1438	19.99	★	0.99	EF 77	4P	193	
	82	1286	17.88	★	1.11	EFF 77	4P	204	
	95	1101	15.30	★	1.29	EFA 77	4P	190	
	105	998	13.87		1.43	EFAF 77	4P	196	
	121	868	12.07		1.64				
	136	772	10.73		1.85				
	161	652	9.06		1.57				
	181	581	8.07		1.77				
	192	546	7.59		1.88				
	216	486	6.75		2.1				
	256	410	5.70		2.5				
	293	358	4.98		2.9				
	343	306	4.26		3.1				
	15	6.3	21438	230		0.80	EF 157ER97	4P	1134
		7.2	18829	202		0.91	EFF 157ER97	4P	1234
7.6		17990	193		0.95	EFA 157ER97	4P	1114	
						EFAF 157ER97	4P	1164	
6.7		21236	143.80		0.81	EF 157	6P	1060	
7.6		18905	128.01		0.90	EFF 157	6P	1160	
8.8		16369	110.84		1.04	EFA 157	6P	1040	
10		14316	96.94		1.19	EFAF 157	6P	1090	
12		12454	84.33		1.37				
6.7		21289	216.98		0.80	EF 157	4P	1004	
8.2		17484	178.20		0.98	EFF 157	4P	1104	
9.0		15989	162.96		1.07	EFA 157	4P	984	
10		14109	143.80		1.21	EFAF 157	4P	1034	
11		12560	128.01		1.36				
13		10875	110.84		1.57				
15		9511	96.94		1.80				
17		8274	84.33		2.1				
19		7567	77.12		2.3				
21		6677	68.05		2.6				
24		5944	60.58		2.9				
9.6		14886	100.80		0.80	EF 127	6P	755	
11		12789	86.60		0.89	EFF 127	6P	805	
13		11416	77.30		1.00	EFA 127	6P	720	
14		10072	68.20		1.13	EFAF 127	6P	760	
15		9481	64.20		1.20				
12		12412	126.50		0.92	EF 127	4P	699	
13		11038	112.50		1.03	EFF 127	4P	749	
14		9893	100.83		1.15	EFA 127	4P	664	
17		8494	86.57		1.34	EFAF 127	4P	704	
19		7581	77.26		1.50				
21		6687	68.15		1.70				
15		9247	94.24		0.80	EF 107	4P	449	
16		8814	89.83		0.83	EFF 107	4P	474	
17		8411	85.73		0.87	EFA 107	4P	434	
19		7516	76.60		0.97	EFAF 107	4P	454	
22		6613	67.40		1.10				
25	5773	58.84		1.26					
28	5079	51.77		1.44					
34	4239	43.20		1.72					
38	3778	38.51		1.93					
42	3380	34.45		2.2					
45	3199	32.60		2.3					
54	2658	27.09		2.8					
57	2506	25.54		3.0					
68	2112	21.52		3.5					

EF SERIES REDUCTOR

Power (kW)	Output speed (r/min)	Output torque (N · m)	Ratio (i)	Service factor (fB)	Type	Motor pole	Weight (kg)			
15	34	4266	43.48	0.91	EF 97 EFF 97 EFA 97 EFAF 97	4P	359			
	38	3736	38.08	1.09						
	41	3504	35.71	0.83						
	44	3291	33.54	1.24						
	46	3094	31.53	1.32						
	49	2912	29.68	1.40						
	52	2742	27.95	1.49						
	59	2438	24.84	1.68						
	65	2220	22.63	1.84						
	72	1980	20.18	2.1						
	85	1690	17.22	2.4						
	98	1460	14.88	2.8						
	118	1218	12.41	3.4						
	134	1072	10.92	3.6						
	57	2530	25.79	1.13	EF 87 EFF 87 EFA 87 EFAF 87	4P	264			
	60	2369	24.14	1.20						
	69	2082	21.22	1.37						
	78	1837	18.72	1.55						
	83	1718	17.51	1.66						
	94	1530	15.59	1.86						
	110	1302	13.27	2.2						
	128	1116	11.38	2.6						
	150	954	9.72	2.9						
	174	824	8.40	1.76						
	200	718	7.32	2.0						
	213	672	6.85	2.2						
258	555	5.65	2.6							
292	491	5.00	3.0							
349	410	4.18	3.4							
18.5	7.3	23064	202	0.80	EF 157ER97 EFF 157ER97 EFA 157ER97 EFAF 157ER97	4P	1179			
	7.6	22036	193	0.80						
	8.2	21417	178.20	0.80						
	9.0	19586	162.96	0.87						
	10	17283	143.80	0.99	EF 157 EFF 157 EFA 157 EFAF 157	4P	1149			
	11	15385	128.01	1.11						
	13	13322	110.84	1.28						
	15	11651	96.94	1.47						
	17	10135	84.33	1.69						
	19	9269	77.12	1.84						
	22	8179	68.05	2.1						
	24	7281	60.58	2.3						
	28	6305	52.46	2.7						
	13	13521	112.50	0.84				EF 127 EFF 127 EFA 127 EFAF 127	4P	744
	15	12119	100.83	0.94						
	17	10405	86.57	1.10						
	19	9286	77.26	1.23						
	22	8191	68.15	1.39						
	23	7712	64.17	1.48						
	27	6488	53.98	1.76						
	30	5812	48.36	1.96						
	19	9206	76.60	0.80	EF 107 EFF 107 EFA 107 EFAF 107	4P	494			
	22	8100	67.40	0.90						
	25	7071	58.84	1.03						
	28	6222	51.77	1.17						
	34	5192	43.20	1.41						
	38	4628	38.51	1.58						
	43	4140	34.45	1.76						
	45	3918	32.60	1.86						
	54	3256	27.09	2.3						
	58	3070	25.54	2.4						
	68	2587	21.52	2.9						

ER SERIES REDUCTOR

Power (kW)	Output speed (r/min)	Output torque (N·m)	Ratio (i)		Service factor (fB)	Type	Motor pole	Weight (kg)	
18.5	39	4576	38.08		0.89	EF 97	4P	404	
	41	4292	35.71		0.80	EFF 97	4P	439	
	44	4031	33.54		1.01	EFA 97	4P	399	
	47	3790	31.53		1.08	EFAF 97	4P	419	
	50	3567	29.68		1.15				
	53	3359	27.95		1.22				
	59	2986	24.84		1.37				
	65	2719	22.63		1.50				
	73	2426	20.18	★	1.68				
	85	2070	17.22		1.97				
	99	1788	14.88		2.3				
	118	1492	12.41		2.7				
	135	1313	10.92		3.0				
		69	2551	21.22		1.12	EF 87	4P	309
		79	2250	18.72		1.27	EFF 87	4P	324
		84	2104	17.51		1.35	EFA 87	4P	299
		94	1874	15.59	★	1.52	EFAF 87	4P	314
		111	1594	13.27		1.79			
		129	1367	11.38	★	2.1			
		151	1168	9.72		2.3			
		175	1010	8.40		1.44			
		201	880	7.32		1.65			
		215	823	6.85		1.77			
		260	680	5.65		2.1			
		294	601	5.00		2.4			
	352	502	4.18		2.8				
22	10	20997	96.94		0.81	EF 157	6P	1124	
	12	18266	84.33	★	0.94	EFF 157	6P	1224	
	13	16704	77.12	★	1.02	EFA 157	6P	1104	
	14	14739	68.05		1.16	EFAF 157	6P	1154	
		10	20553	143.80		0.83	EF 157	4P	1060
		11	18296	128.01		0.93	EFF 157	4P	1160
		13	15842	110.84		1.08	EFA 157	4P	1040
		15	13855	96.94		1.23	EFAF 157	4P	1090
		17	12053	84.33		1.42			
		19	11022	77.12		1.55			
		22	9726	68.05		1.76			
		24	8658	60.58		1.97			
		28	7498	52.46		2.3			
		32	6557	45.88		2.6			
		39	5441	38.07		3.1			
		46	4572	31.99		3.7			
		15	14412	100.83		0.80	EF 127	4P	755
		17	12374	86.57		0.92	EFF 127	4P	805
		19	11043	77.26		1.03	EFA 127	4P	720
		22	9741	68.15		1.17	EFAF 127	4P	760
		23	9171	64.17		1.24			
		27	7715	53.98		1.48			
		30	6912	48.36		1.65			
		36	5896	41.25		1.93			
		25	8409	58.84		0.87	EF 107	4P	505
		28	7399	51.77		0.99	EFF 107	4P	530
		34	6174	43.20		1.18	EFA 107	4P	490
		38	5504	38.51		1.33	EFAF 107	4P	510
		43	4923	34.45		1.43			
		45	4659	32.60		1.51			
		54	3872	27.09		1.92			
		58	3650	25.54		2.0			
		68	3076	21.52		2.4			
		77	2720	19.03		2.7			
		53	3995	27.95		1.02	EF 97	4P	415
		59	3551	24.84		1.15	EFF 97	4P	450
		65	3234	22.63		1.26	EFA 97	4P	410
		73	2885	20.18	★	1.42	EFAF 97	4P	430

EF SERIES REDUCTOR

Power (kW)	Output speed (r/min)	Output torque (N · m)	Ratio (i)	Service factor (fB)	Type	Motor pole	Weight (kg)
22	85	2462	17.22	1.66	EF 97	4P	415
	99	2126	14.88	1.92	EFF 97	4P	450
	118	1774	12.41	2.3	EFA 97	4P	410
	135	1561	10.92	2.5	EFAF 97	4P	430
	69	3033	21.22	0.94	EF 87	4P	320
	79	2676	18.72	1.07	EFF 87	4P	335
	84	2502	17.51	1.14	EFA 87	4P	310
	94	2228	15.59	★ 1.28	EFAF 87	4P	325
	111	1896	13.27	1.50			
	129	1626	11.38	★ 1.75			
	151	1390	9.72	1.97			
	175	1201	8.40	1.21			
	201	1046	7.32	1.39			
	215	979	6.85	1.49			
	260	808	5.65	1.80			
	294	715	5.00	2.0			
	352	597	4.18	2.3			
30	13	21602	110.84	0.80	EF 157	4P	1130
	15	18893	96.94	0.91	EFF 157	4P	1230
	17	16436	84.33	★ 1.04	EFA 157	4P	1110
	19	15031	77.12	★ 1.14	EFAF 157	4P	1160
	22	13263	68.05	1.29			
	24	11807	60.58	1.45			
	28	10224	52.46	1.67			
	32	8942	45.88	1.91			
	39	7420	38.07	2.3			
	19	15058	77.26	0.80	EF 127	4P	825
	22	13283	68.15	0.86	EFF 127	4P	875
	23	12506	64.17	0.91	EFA 127	4P	790
	26	10952	56.20	1.04	EFAF 127	4P	830
	27	10521	53.98	1.08			
	30	9647	49.50	1.18			
	30	9426	48.36	1.21			
	36	8040	41.25	1.42			
	38	7577	38.88	1.50			
	40	7146	36.67	1.60			
	69	4142	21.25	2.8			
	78	3676	18.86	2.8			
	34	8420	43.20	0.87	EF 107	4P	575
	38	7506	38.51	0.97	EFF 107	4P	600
	43	6713	34.45	1.05	EFA 107	4P	560
	45	6354	32.60	1.15	EFAF 107	4P	580
	54	5281	27.09	1.41			
	58	4978	25.54	1.50			
	68	4195	21.52	1.78			
	77	3709	19.03	2.0			
	87	3278	16.82	2.3			
	98	2919	14.98	2.5			
	119	2404	12.33	2.8			
	148	1932	9.91	3.2			
65	4410	22.63	0.93	EF 97	4P	485	
73	3934	20.18	★ 1.04	EFF 97	4P	520	
85	3357	17.22	★ 1.22	EFA 97	4P	480	
99	2900	14.88	1.41	EFAF 97	4P	500	
118	2419	12.41	1.69				
135	2129	10.92	1.83				
161	1774	9.10	1.26				
182	1578	8.10	1.42				
206	1390	7.13	1.61				
235	1220	6.26	1.75				
283	1013	5.20	2.0				
318	900	4.62	2.2				

EF SERIES REDUCTOR

Power (kW)	Output speed (r/min)	Output torque (N · m)	Ratio (i)	Service factor (fB)	Type	Motor pole	Weight (kg)
37	22	16302	68.05	1.05	EF 157	4P	1150
	24	14513	60.58	1.18	EFF 157	4P	1250
	28	12567	52.46	1.36	EFA 157	4P	1130
	32	10991	45.88	1.56	EFAF 157	4P	1180
	39	9120	38.07	1.87			
	46	7664	31.99	2.2			
	54	6499	27.13	2.6			
	26	13462	56.20	0.85	EF 127	4P	845
	27	12932	53.98	0.88	EFF 127	4P	895
	30	11858	49.50	0.96	EFA 127	4P	810
	30	11586	48.36	0.98	EFAF 127	4P	850
	36	9882	41.25	1.15			
	38	9314	38.88	1.22			
	40	8784	36.67	1.30			
	69	5091	21.25	2.2			
	78	4519	18.86	2.3			
	92	3833	16.00	2.7			
	102	3460	14.44	3.0			
	118	2994	12.50	3.2			
	142	2483	10.37	3.6			
	164	2149	8.97	3.1			
	188	1875	7.83	3.0			
	54	6491	27.09	1.15	EF 107	4P	595
	58	6119	25.54	1.22	EFF 107	4P	620
	69	5156	21.52	1.44	EFA 107	4P	580
	78	4558	19.03	1.63	EFAF 107	4P	600
	88	4029	16.82	1.85			
	98	3588	14.98	2.0			
	122	2894	12.08	2.6			
	149	2374	9.91	2.6			
	179	1970	8.22	2.3			
	193	1834	7.66	2.4			
	236	1497	6.25	2.9			
45	22	19827	68.05	0.86	EF 157	4P	1205
	24	17650	60.58	0.97	EFF 157	4P	1305
	28	15285	52.46	1.12	EFA 157	4P	1185
	32	13367	45.88	1.28	EFAF 157	4P	1235
	39	11092	38.07	1.54			
	46	9320	31.99	1.83			
	54	7904	27.13	2.2			
	26	16373	56.20	0.80	EF 127	4P	900
	30	14422	49.50	0.80	EFF 127	4P	950
	30	14091	48.36	0.81	EFA 127	4P	865
	36	12018	41.25	0.95	EFAF 127	4P	905
	38	11328	38.88	1.01			
	40	10683	36.67	1.07			
	69	6191	21.25	1.84			
	78	5496	18.86	1.90			
	92	4662	16.00	2.2			
	102	4208	14.44	2.5			
	118	3642	12.50	2.6			
	142	3020	10.37	3.0			
	164	2614	8.97	2.5			
	188	2281	7.83	2.5			
	214	2004	6.88	3.3			
	274	1568	5.38	3.6			
	54	7894	27.09	0.94	EF 107	4P	650
	58	7441	25.54	1.00	EFF 107	4P	675
	69	6271	21.52	1.19	EFA 107	4P	635
	78	5544	19.03	1.34	EFAF 107	4P	655
	88	4900	16.82	1.52			
	98	4363	14.98	1.67			
	122	3520	12.08	1.89			
	149	2888	9.91	2.1			
	179	2396	8.22	1.90			
	193	2231	7.66	1.96			
236	1821	6.25	2.4				

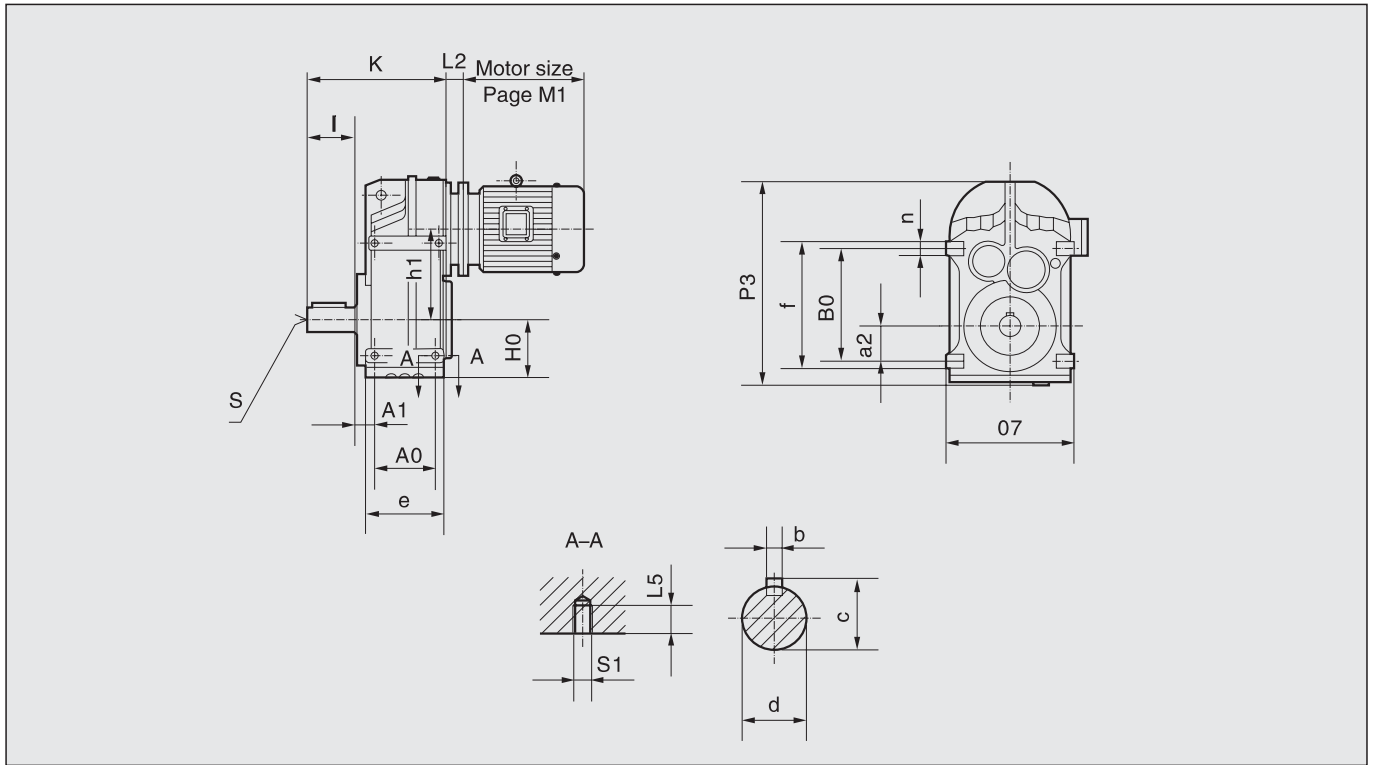
EF SERIES REDUCTOR

Power (kW)	Output speed (r/min)	Output torque (N · m)	Ratio (i)	Service factor (fB)	Type	Motor pole	Weight (kg)	
55	24	21500	60.58	0.80	EF 157	4P	1320	
	28	18618	52.46	0.92	EFF 157	4P	1420	
	32	16283	45.88	1.05	EFA 157	4P	1300	
	39	13511	38.07	1.27	EFAF 157	4P	1350	
	46	11353	31.99	1.51				
	51	10242	28.86	1.58				
	55	9628	27.13	1.78				
	59	8897	25.07	1.60				
	66	8014	22.58	2.1				
	75	7031	19.81	2.3				
	91	5767	16.25	3.0				
		26	19944	56.20	0.80	EF 127	4P	1015
		30	17567	49.50	0.80	EFF 127	4P	1065
		36	14640	41.25	0.80	EFA 127	4P	980
		38	13798	38.88	0.83	EFAF 127	4P	1020
		40	13013	36.67	0.88			
		70	7542	21.25	1.51			
		78	6695	18.86	1.56			
		93	5678	16.00	1.84			
		102	5126	14.44	2.0			
		118	4436	12.50	2.1			
		143	3679	10.37	2.5			
		165	3184	8.97	2.1			
		189	2778	7.83	2.1			
		215	2441	6.88	2.7			
		275	1910	5.38	3.0			
		309	1698	4.78	3.4			
	75	32	22204	45.88	0.80	EF 157	4P	1404
39		18424	38.07	0.93	EFF 157	4P	1504	
46		15482	31.99	1.10	EFA 157	4P	1384	
51		13967	28.86	1.16	EFAF 157	4P	1434	
55		13130	27.13	1.30				
59		12133	25.07	1.17				
66		10928	22.58	1.56				
75		9587	19.81	1.68				
91		7864	16.25	2.2				
106		6756	13.96	2.4				
124		5769	11.92	2.6				
		38	18816	38.88	0.80	EF 127	4P	1099
		40	17745	36.67	0.80	EFF 127	4P	1149
		70	10284	21.25	1.11	EFA 127	4P	1064
		78	9129	18.86	1.14	EFAF 127	4P	1104
		93	7743	16.00	1.35			
		102	6990	14.44	1.49			
		118	6049	12.50	1.57			
		143	5017	10.37	1.80			
		165	4341	8.97	1.53			
		189	3789	7.83	1.50			
		215	3328	6.88	2.0			
		275	2605	5.38	2.2			
		309	2315	4.78	2.5			
90		46	18578	31.99	0.92	EF 157	4P	1462
		51	16760	28.86	0.96	EFF 157	4P	1562
		55	15756	27.13	1.09	EFA 157	4P	1442
		59	14559	25.07	0.98	EFAF 157	4P	1492
	66	13113	22.58	1.30				
	75	11505	19.81	1.40				
	91	9437	16.25	1.81				
	106	8107	13.96	1.99				
	124	6922	11.92	2.2				

EF SERIES REDUCTOR

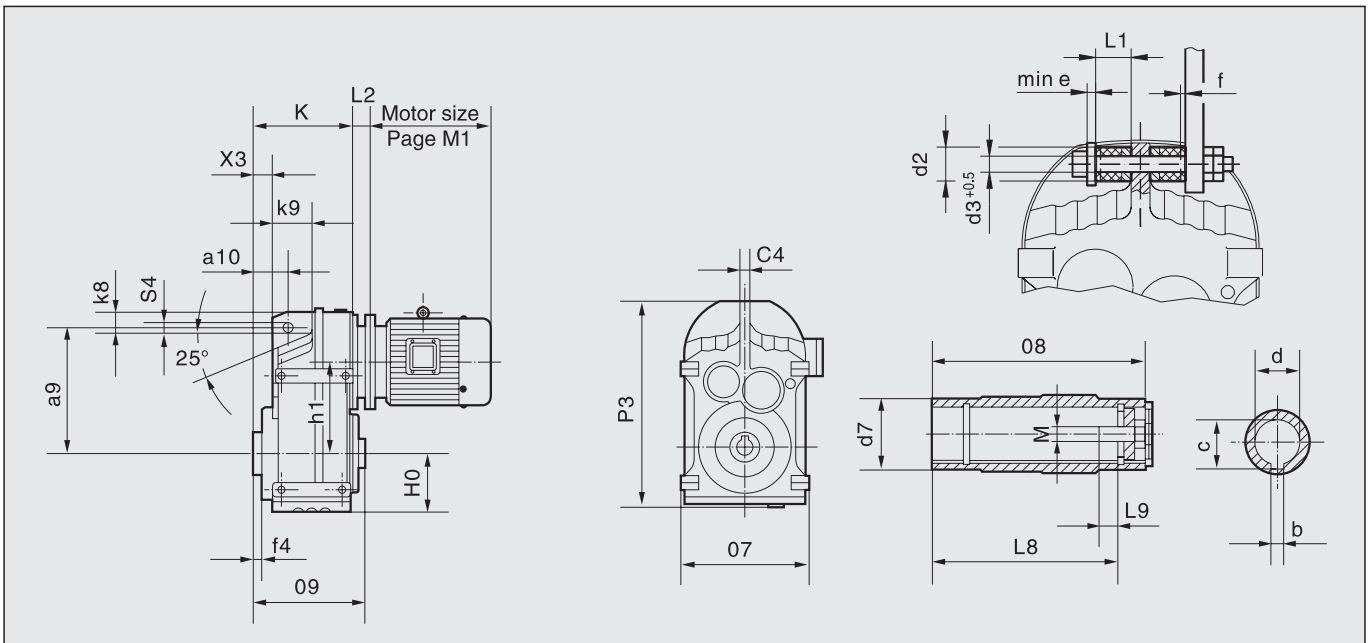
Power (kW)	Output speed (r/min)	Output torque (N · m)	Ratio (i)	Service factor (fB)	Type	Motor pole	Weight (kg)
90	38	22579	38.88	0.80	EF 127	4P	1157
	40	21294	36.67	0.80	EFF 127	4P	1207
	70	12341	21.25	0.92	EFA 127	4P	1122
	78	10955	18.86	0.95	EFAF 127	4P	1162
	93	9292	16.00	1.12			
	102	8389	14.44	1.25			
	118	7259	12.50	1.31			
	143	6020	10.37	1.50			
	165	5210	8.97	1.28			
	189	4547	7.83	1.25			
	215	3994	6.88	1.66			
	275	3126	5.38	1.82			
	309	2778	4.78	2.1			
110	55	19257	27.13	0.89	EF 157	4P	1800
	66	16027	22.58	1.07	EFF 157	4P	1900
	75	14061	19.81	1.15	EFA 157	4P	1780
	91	11534	16.25	1.48	EFAF 157	4P	1830
	106	9909	13.96	1.63			
	124	8461	11.92	1.80			
132	66	19233	22.58	0.89	EF 157	4P	1900
	75	16873	19.81	0.96	EFF 157	4P	2000
	91	13841	16.25	1.24	EFA 157	4P	1880
	106	11891	13.96	1.36	EFAF 157	4P	1930
	124	10153	11.92	1.50			
160	91	16777	16.25	1.02	EF 157	4P	1920
	106	14413	13.96	1.12	EFF 157	4P	2020
	124	12307	11.92	1.24	EFA 157	4P	1900
					EFAF 157	4P	1950
200	91	20971	16.25	0.82	EF 157	4P	1970
	106	18016	13.96	0.90	EFF 157	4P	2070
	124	15383	11.92	0.99	EFA 157	4P	1950
					EFAF 157	4P	2000

EF SERIES REDUCTOR



Type	Installation dimensions							Shaft dimensions			Overall dimensions				
	A0	a2 B0	e	S	A1	L5	S1 H0	l	d	c b	f	h1 n	07 P3	K	L2
EF37	77	31 115	95	M10	22.5	11	M8 74	50	25k6	28 8	135	112 20	169 250	166	page 155
EF47	93	43 145	109	M10	31	15	M10 80	60	30k6	33 8	165	128.1 20	180 272	198	
EF57	102	55 170	126	M12	30.5	17	M12 93	70	35k6	38 10	195	136 25	200 317	221	
EF67	112	60 190	131	M16	38	17	M12 97	80	40k6	43 12	215	159.5 25	217 343	252	
EF77	140	70 240	165	M16	37.5	26	M16 121	100	50k6	53.5 14	275	200 35	279 426	294	
EF87	165	100 310	195	M20	43	26	M16 152	120	60m6	64 18	350	246.7 40	330 531	349	
EF97	205	120 350	240	M20	50.5	28	M20 178	140	70m6	74.5 20	400	285 50	400 623	412	
EF107	220	125 400	260	M24	76.5	36	M24 200	170	90m6	95 25	460	332.4 60	450 717	491	
EF127	270	142 450	316	M24	81	45	M30 236	210	110m6	116 28	520	382.6 70	530 856	586	
EF157	310	170 540	364	M24	111	55	M36 286	210	120m6	127 32	620	447 80	660 1021	662	

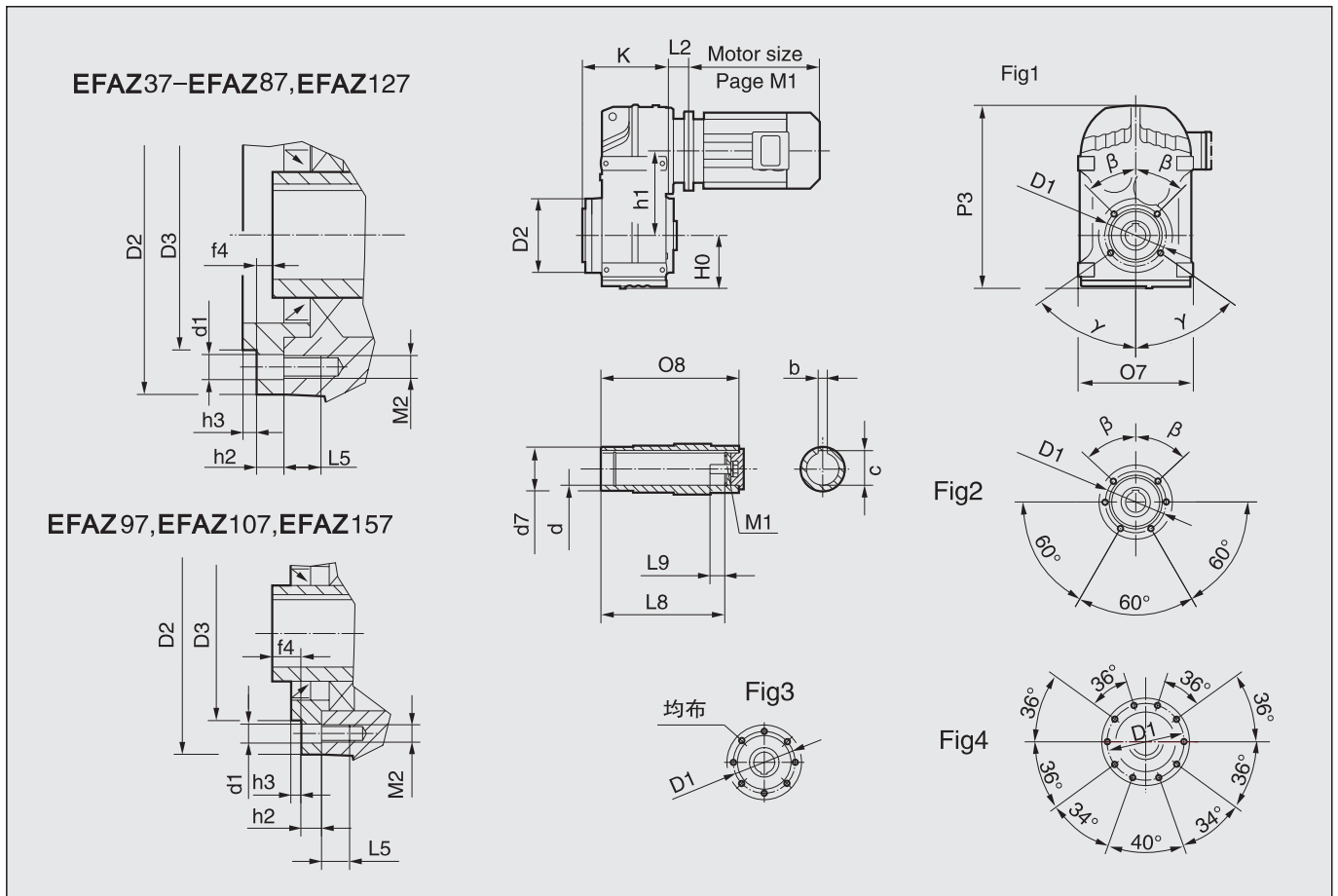
EF SERIES REDUCTOR



Type	Installation dimensions								Shaft dimensions					Overall dimensions								
	a10	f4	C4	a9	H0	X3	L9	S4 M	d2	d3	e	L1	f	L8	d	c b	K d7	09 P3	07 08	k8 k9	h1	L2
EFA37	31.5	2.5	12	158	74	7.5	17	14 M10	40	12.5	5	20	1	105	30H7	33.3 8	116 45	123 250	169 120	30 41.5	112	
EFA47	32	3	12	170	80	14	22	14 M12	40	12.5	5	20	1.8	130	35H7	38.3 10	138 50	153 272	180 150	22 54	128.1	
EFA57	40.5	1	14	198	93	19.5	29	14 M16	40	12.5	5	20	2.4	142	40H7	43.3 12	150 55	170 317	210 166	31 60	136	
EFA67	41	3.5	16	218	97	12.5	29	14 M16	40	12.5	5	20	3	156	40H7	43.3 12	172 55	184 343	217 180	52 67	159.5	
EFA77	50	4	20	278	121	12	32	22 M16	60	21	10	30	3.2	183	50H7	53.8 14	194 70	213 426	275 210	49 76	200	
EFA87	62	4	26	346	152	20.5	36	22 M20	60	21	10	30	4.5	210	60H7	64.4 18	229 85	243 531	330 240	57 85	246.7	
EFA97	70	4	30	395	178	28	34	26 M20	80	25	12	40	5	270	70H7	74.9 20	272 95	303 623	400 300	88 100	285	
EFA107	87.5	2.5	36	485	200	32.5	40	26 M24	80	25	12	40	6	310	90H7	95.4 25	321 120	353 717	450 350	105 121	332.4	
EFA127	110	2.5	40	550	236	30	38	33 M24	100	32	15	60	9	370	100H7	106.4 28	376 135	413 856	530 410	138 153	382.6	
EFA157	150	7	45	660	286	98	36	33 M24	120	32	15	60	9	500	120H7	127.4 32	455 155	503 1021	660 500	170 140	447	

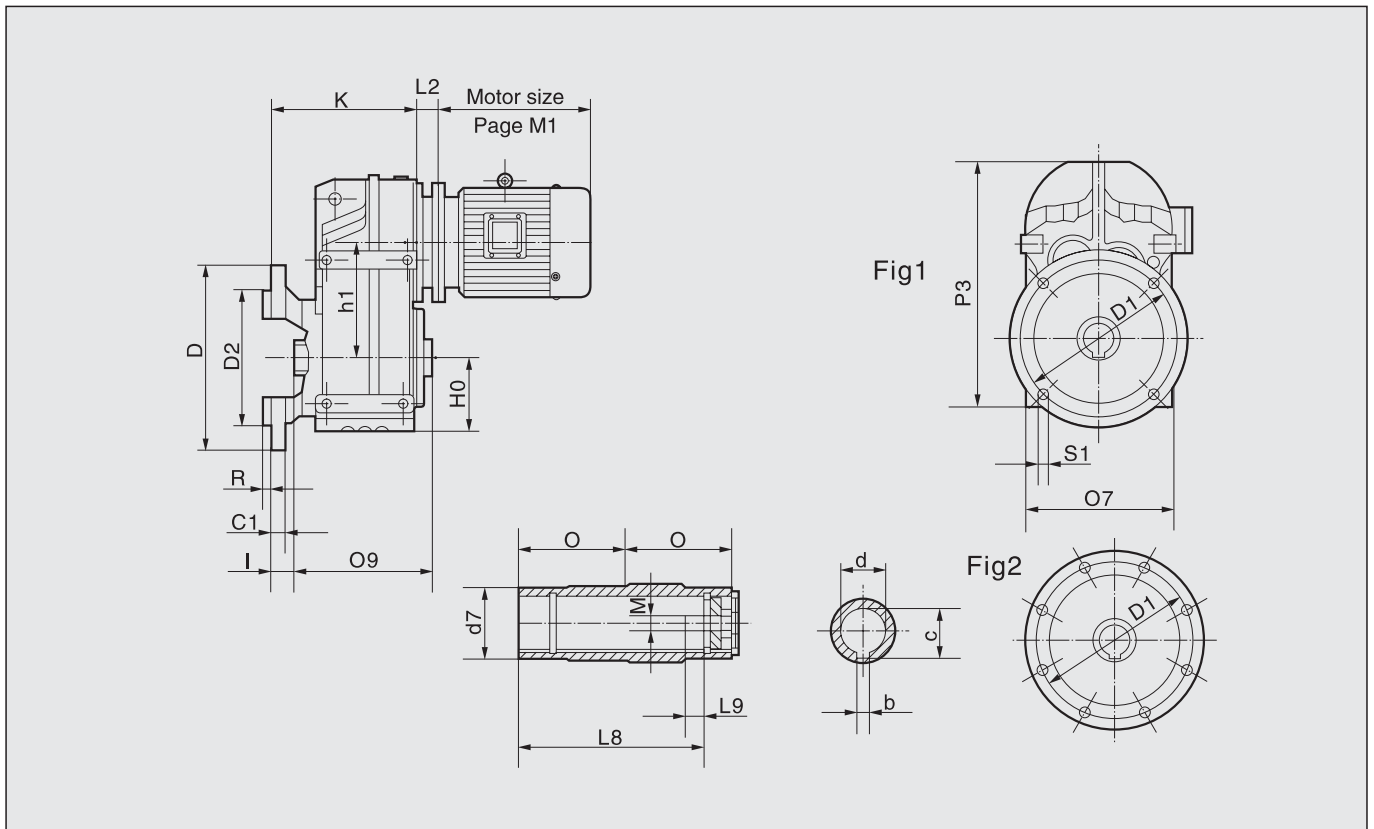
page 155

EF SERIES REDUCTOR



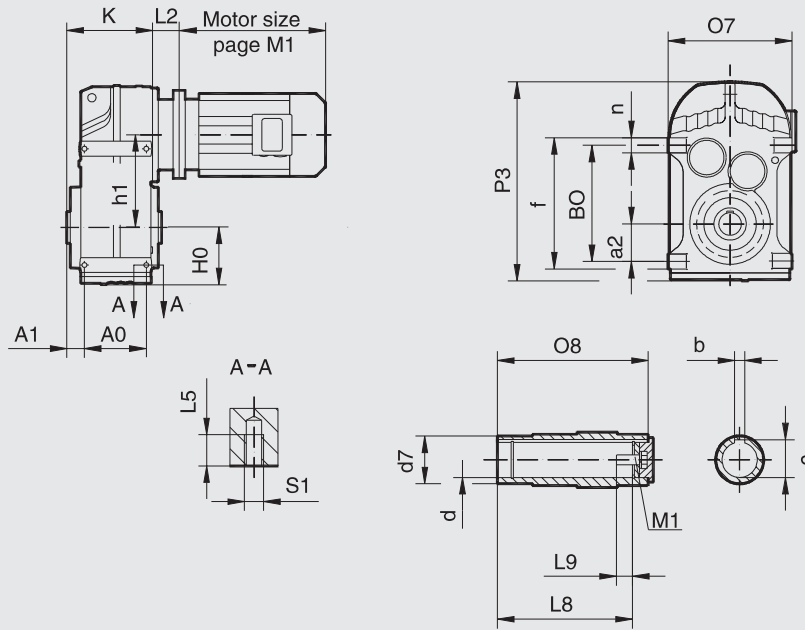
Type	Installation dimensions								Shaft dimensions			Overall dimensions					
	H0	D1	Fig	β γ	f4	L5	h2 h3	M2 d1	d	c b	L8 L9	M1	K d7	O7 O8	h1 P3	D2 D3	L2
EFAZ37	74	94	1	45° 53°	9	11	11.5 3	M8 9	30H7	33.3 8	105 17	M10X25-8.8	128 45	169 120	112 250	110 80j6	page 155
EFAZ47	80	102	1	50° 45°	8	15	11 3	M10 11	35H7	38.3 10	130 22	M10X25-8.8	149 50	180 150	128.1 272	120 80j6	
EFAZ57	93	125	2	47° -	9	17	12 3.5	M12 13.5	40H7	43.3 12	142 29	M16X40-8.8	162 55	200 166	136 317	155 105j6	
EFAZ67	97	125	1	45° 45°	8.5	17	12 3.5	M12 13.5	40H7	43.3 12	156 29	M16X40-8.8	184 55	217 180	159.5 343	155 105j6	
EFAZ77	121	142	2	40° -	10	17	14 3.5	M12 13.5	50H7	53.8 14	183 32	M16X45-8.8	207.5 70	275 210	200 426	170 125j6	
EFAZ87	152	178	2	45° -	11	25	15 4	M16 17.5	60H7	64.4 18	210 36	M20X50-8.8	229 85	330 240	246.7 531	215 155j6	
EFAZ97	178	200	2	30° -	8	20	18 4	M16 17.5	70H7	74.9 20	270 34	M20X50-8.8	272 95	400 300	285 623	250 160j6	
EFAZ107	200	255	3	- -	0.5	25	22 4	M16 17.5	90H7	95.4 25	310 40	M24X60-8.8	321 120	450 350	332.4 717	300 210j6	
EFAZ127	236	300	3	- -	5	25	30 5	M16 17.5	100H7	106.4 28	370 38	M24X60-8.8	381 135	530 410	382.6 856	350 250h6	
EFAZ157	286	340	4	- -	14	35	28 5	M24 26	120H7	32 127.4	457 36	M24X60-8.8	455 155	660 500	447 1021	400 290h6	

EF SERIES REDUCTOR



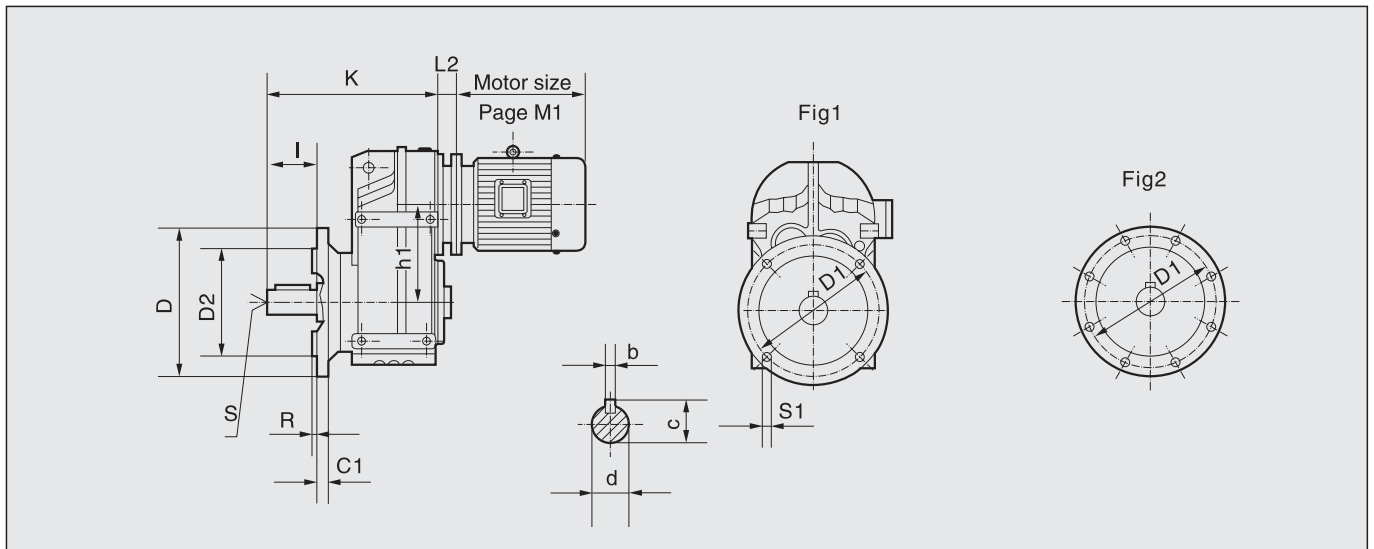
Type	Installation dimensions							Shaft dimensions			Overall dimensions						
	S1 H0	Fig	D2	L8 L9	D1	R M	d	c b	l	O O7	O9 P3	D	C1	K	h1	d7	L2
EFAF37	9 74	1	110h7	105 17	130	3.5 M10	30H7	33.3 8	24	60 169	123 250	160	10	140	112	45	page 155
EFAF47	9 80	1	130h7	130 22	165	3.5 M12	35H7	38.3 10	24.5	75 180	153 272	200	12	162	128.1	50	
EFAF57	13.5 93	1	180h7	142 29	215	4 M16	35H7	43.3 12	23.5	83 200	170 317	250	15	177	136	55	
EFAF67	13.5 97	1	180h7	156 29	215	4 M16	40H7	43.3 12	23	90 217	184 343	250	15	195	159.5	55	
EFAF77	13.5 121	1	230h7	183 32	265	4 M16	50H7	53.8 14	37	105 279	213 426	300	16	231	200	70	
EFAF87	18 152	1	250h7	210 36	300	5 M20	60H7	64.4 18	30	120 330	243 531	350	18	259	246.7	85	
EFAF97	18 178	2	350h7	270 34	400	5 M20	70H7	74.9 20	41.5	150 400	303 623	450	22	314	285	95	
EFAF107	18 200	2	350h7	310 40	400	5 M24	90H7	95.4 25	41	175 450	353 717	450	22	362	332.4	120	
EFAF127	18 236	2	450h7	370 38	500	5 M24	100H7	106.4 28	51	205 530	413 856	550	25	427	382.6	135	
EFAF157	22 286	2	550h7	460 36	600	6 M24	120H7	127.4 32	60	250 660	503 1021	660	28	521	447	155	

EF SERIES REDUCTOR



Type	Installation dimensions				Shaft dimensions				Overall dimensions					
	A1 A0	a2 BO	S1 H0	L5	d	c b	L8 L9	M1	f	h1 n	O7 P3	O8 d7	K	L2
EFAB37	22.5 77	31 115	M8 74	11	30H7	33.3 8	105 17	M10X25-8.8	135	112 20	169 250	120 45	166	见 155页 page 155
EFAB47	31 93	43 145	M10 80	15	35H7	38.3 10	130 22	M10X25-8.8	165	128.1 20	180 272	150 50	138	
EFAB57	33.5 102	55 170	M12 80	17	40H7	43.3 12	142 29	M16X40-8.8	195	136 25	200 317	166 55	150	
EFAB67	38 112	60 190	M12 97	17	40H7	43.3 12	156 29	M16X40-8.8	215	159.5 25	217 343	180 55	172	
EFAB77	37.5 140	70 240	M16 121	26	50H7	53.8 14	183 32	M16X45-8.8	275	200 35	279 426	210 70	194	
EFAB87	43 165	100 310	M16 152	26	60H7	64.4 18	210 36	M20X50-8.8	350	246.7 40	330 531	240 85	229	
EFAB97	50.5 205	120 350	M20 178	28	70H7	74.9 20	270 34	M20X50-8.8	400	285 50	400 623	300 95	272	
EFAB107	76.5 220	125 400	M24 200	36	90H7	95.4 25	310 40	M24X60-8.8	460	332.4 60	450 717	350 120	321	
EFAB127	81 270	142 450	M30 236	45	100H7	106.4 28	370 38	M24X60-8.8	520	382.6 70	530 856	410 135	376	
EFAB157	118 310	170 540	M36 250	55	120H7	127.4 32	457 36	M24X60-8.8	620	447 80	660 1021	500 155	455	

EF SERIES REDUCTOR

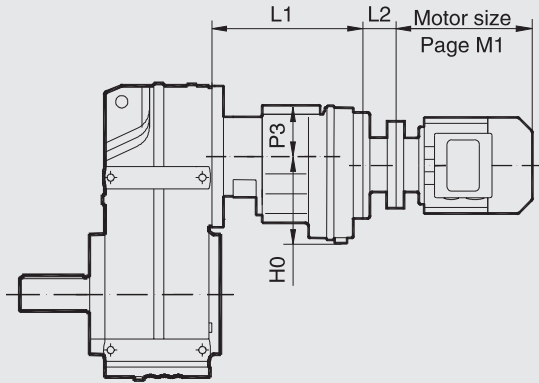


Type	Installation dimensions					Shaft dimensions				Overall dimensions					
	D1	Fig	D2	R	S1	S	c	b	d	I	D	C1	K	h1	L2
EFF37	130	1	110h7	3.5	9	M10	28	8	25k6	50	160	10	190	112	page 155
EFF47	165	1	130h7	3.5	9	M10	33	8	30k6	60	200	12	222	128.1	
EFF57	215	1	180h7	4	13.5	M12	38	10	35k6	70	250	15	243	136	
EFF67	215	1	180h7	4	13.5	M16	43	12	40k6	80	250	15	275	159.5	
EFF77	265	1	230h7	4	13.5	M16	53.5	14	50k6	100	300	16	331	200	
EFF87	300	1	250h7	5	18	M20	64	18	60m6	120	350	18	379	246.7	
EFF97	400	2	350h7	5	18	M20	74.5	20	70m6	140	450	22	454	285	
EFF107	400	2	350h7	5	18	M24	95	25	90m6	170	450	22	532	332.4	
EFF127	500	2	450h7	5	18	M24	116	28	110m6	210	550	25	637	382.6	
EFF157	600	2	550h7	6	22	M24	127	32	120m6	210	660	28	725	447	

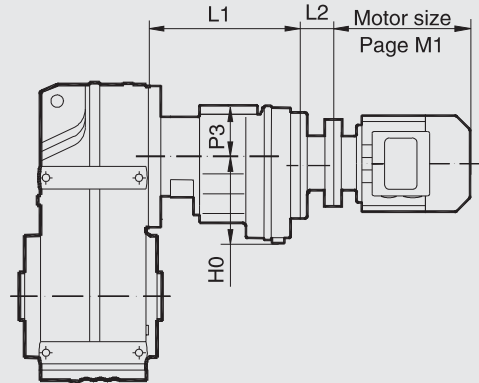
Note: The other size refers to page 191

EF SERIES REDUCTOR

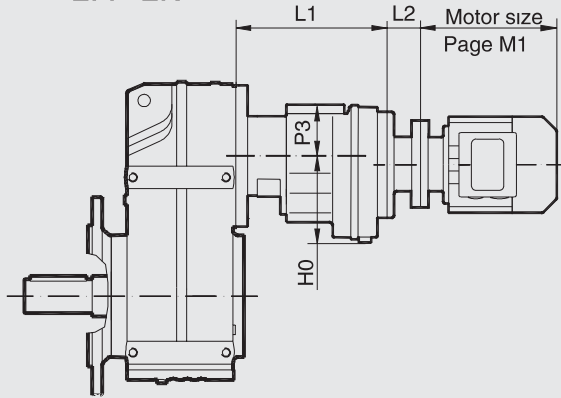
Model EF..ER..



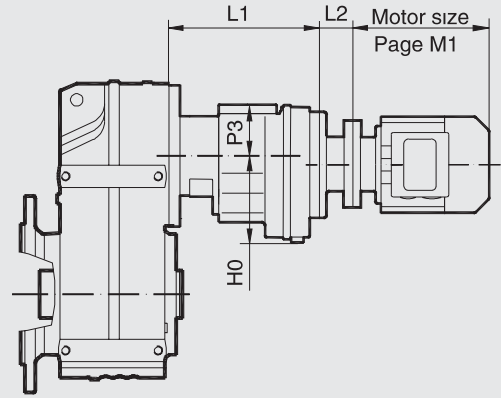
Model EFAB..ER..



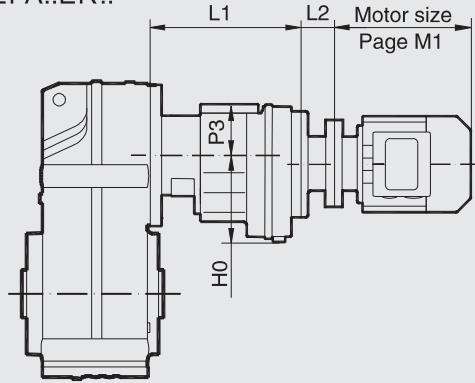
Model EFF..ER..



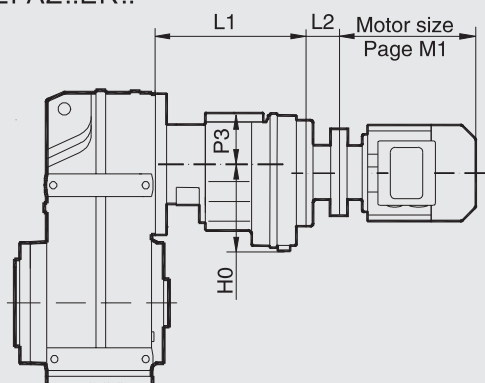
Model EFAF..ER..



Model EFA..ER..



Model EFAZ..ER..

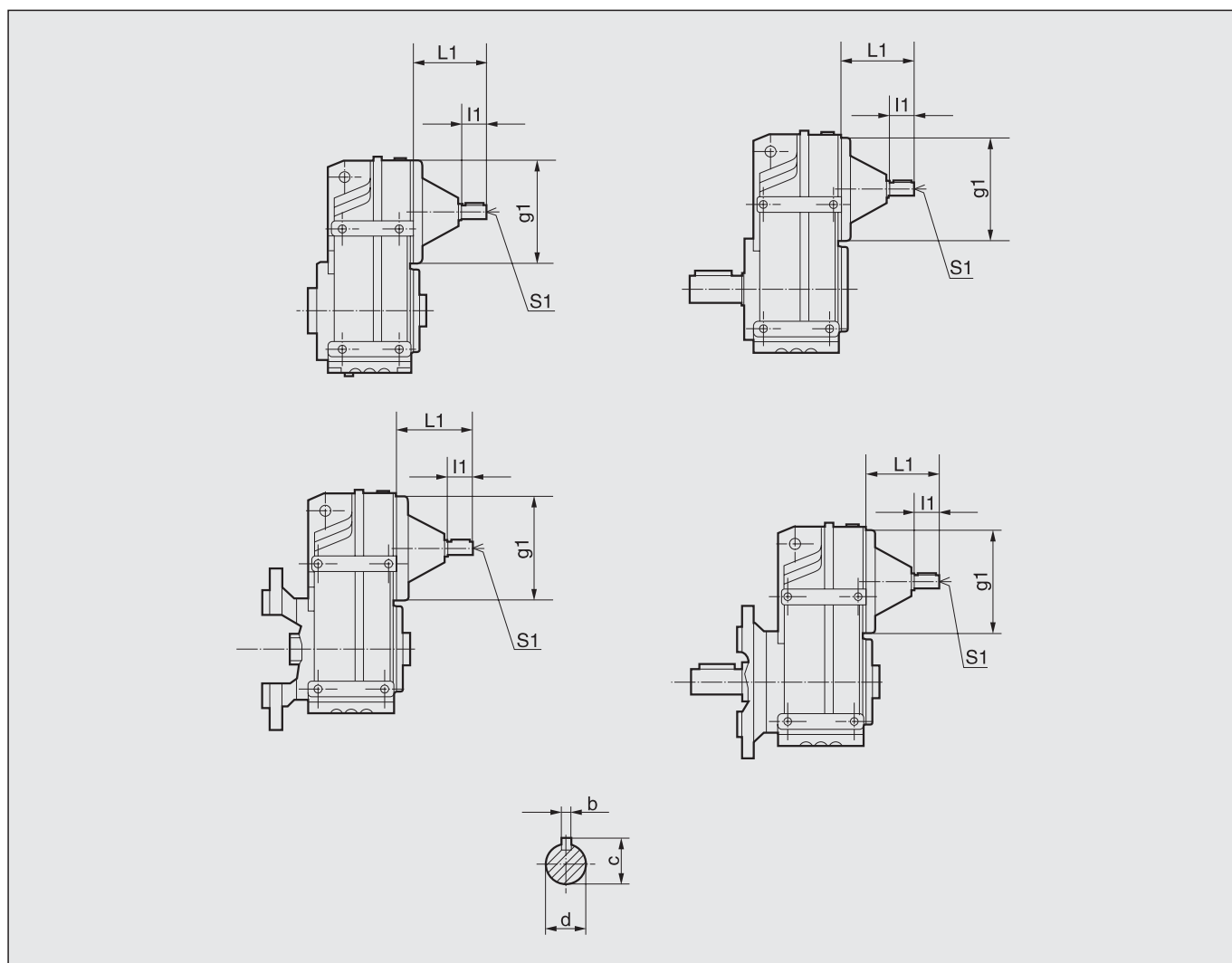


Type	L1	P3	H0	L2
EF..37ER17	145.5	59	76	page 5
EF..47ER17	145.5	59	76	
EF..57ER37	150.5	61	94	
EF..67ER37	150.5	61	94	
EF..77ER37	151	61	94	
EF..87ER57	189	72	121	

Type	L1	P3	H0	L2
EF..97ER57	190	72	121	page 5
EF..107ER77	227	88	144	
EF..127ER77	227	88	144	
EF..127ER87	274	115	184	
EF..157ER97	323	144	230	

Note: The other size refers to page 191–196

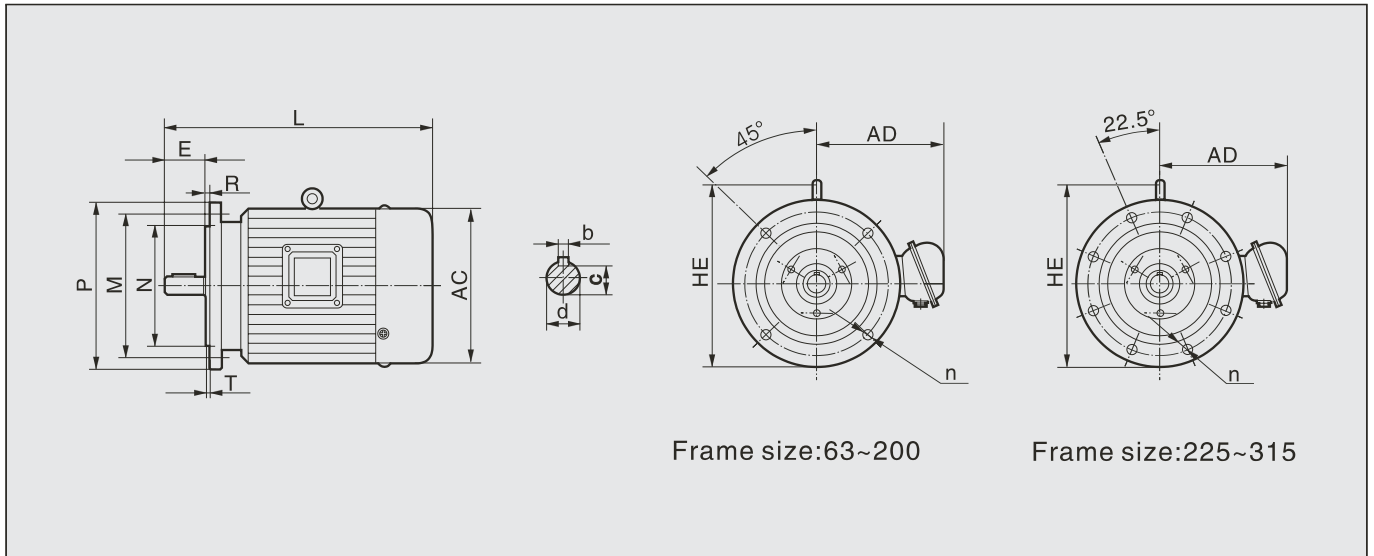
EF SERIES REDUCTOR



Type	d	L1	l1	S1	c	b	g1
EF..S37	16k6	115	40	M5	18	5	120
EF..S47	16k6	115	40	M5	18	5	120
EF..S57	19k6	120	40	M6	21.5	6	160
EF..S67	19k6	120	40	M6	21.5	6	160
EF..S77	24k6	140	50	M8	27	8	200
EF..S87	28k6	180	60	M10	31	8	250
EF..S97	38k6	220	80	M12	41	10	300
EF..S107	42k6	270	110	M16	45	12	350
EF..S127	55m6	297	110	M20	59	16	450
EF..S157	70m6	374	140	M20	74.5	20	550

Note: The other size refers to page 191–196

MOTORS



Frame size:63~200

Frame size:225~315

Dimension sheets for Y series three-phase induction motors

Frame size	dimensions (mm)														4P motors							
	M	N	P	R	n	T	d		E		b		c		AC	AD	L		HE	power kw	weight kg	Mass moments of inertia kgm ²
							2P	4P 6P 8P	2P	4P 6P 8P	2P	4P 6P 8P	2P	4P 6P 8P			2P	4P 6P 8P				
63	115	95j6	140	0	4 × Ø10	3	11j6		23		4		8.5		130	70	230	130	0.18	7.7	0.00048	
71	130	110j6	160	0	4 × Ø10	3.5	14j6		30		5		11		145	80	255	145	0.25	11	0.00053	
																			0.37	11	0.00066	
80	165	130j6	200	0	4 × Ø12	3.5	19j6		40		6		15.5		175	145	295	185	0.55	16	0.00145	
																			0.75	17	0.00174	
90S	165	130j6	200	0	4 × Ø12	3.5	24j6		50		8		20		195	155	320	195	1.1	21	0.00254	
90L	165	130j6	200	0	4 × Ø12	3.5	24j6		50		8		20		195	155	345	195	1.5	25	0.00317	
100L	215	180j6	250	0	4 × Ø15	4	28j6		60		8		24		215	180	385	245	2.2	32	0.00679	
																			3	36	0.00862	
112M	215	180j6	250	0	4 × Ø15	4	28j6		60		8		24		240	190	400	265	4	45	0.01306	
132S	265	230j6	300	0	4 × Ø15	4	38k6		80		10		33		275	210	470	315	5.5	60	0.02673	
132M	265	230j6	300	0	4 × Ø15	4	38k6		80		10		33		275	210	510	315	7.5	73	0.03432	
160M	300	250j6	350	0	4 × Ø19	5	42k6		110		12		37		330	255	615	385	11	116	0.06543	
160L	300	250j6	350	0	4 × Ø19	5	42k6		110		12		37		330	255	670	385	15	137	0.09349	
180M	300	250j6	350	0	4 × Ø19	5	48k6		110		14		42.5		380	280	700	430	18.5	170	0.16049	
180L	300	250j6	350	0	4 × Ø19	5	48k6		110		14		42.5		380	280	740	430	22	186	0.18046	
200L	350	300j6	400	0	4 × Ø19	5	55m6		110		16		49		420	305	770	480	30	254	0.2819	
225S	400	350j6	450	0	8 × Ø19	5	-	60m6	-	140	-	18	-	53	470	335	-	815	535	37	308	0.37
225M	400	350j6	450	0	8 × Ø19	5	55m6	60m6	110	140	18	18	49	53	470	335	820	845	535	45	335	0.42
250M ★	500	450j6	550	0	8 × Ø19	5	60m6	65m6	140	140	18	18	53	58	510	370	910	595	55	450	0.78	
280S ★	500	450j6	550	0	8 × Ø19	5	65m6	75m6	140	140	18	20	58	67.5	580	410	985	650	75	534	1.10	
280M ★	500	450j6	550	0	8 × Ø19	5	65m6	75m6	140	140	18	20	58	67.5	580	410	1035	650	90	592	1.35	
315S ★	600	550j6	660	0	8 × Ø24	6	65m6	80m6	140	170	18	22	58	71	645	530	1160	1270	845	110	930	2.8596
315M ★	600	550j6	660	0	8 × Ø24	6	65m6	80m6	140	170	18	22	58	71	645	530	1190	1300	845	132	1030	3.1848
315L ★	600	550j6	660	0	8 × Ø24	6	65m6	80m6	140	170	18	22	58	71	645	530	1190	1300	845	160	1050	3.6765